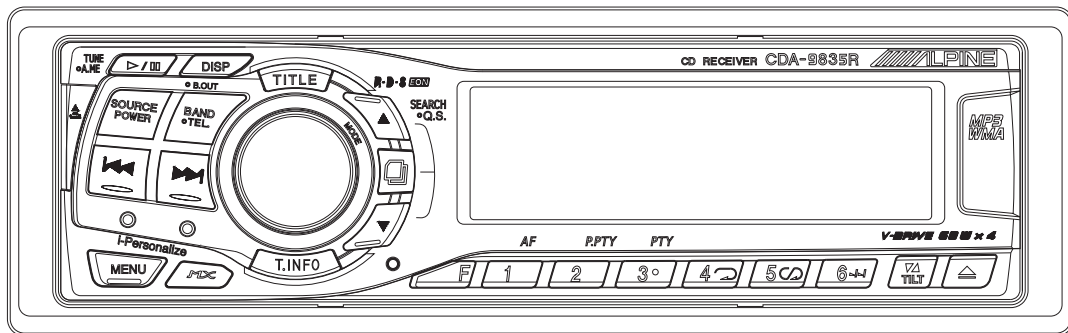


ALPINE SERVICE MANUAL

FM/MW/LW/RDS CD Receiver

MP3



5 / 04-A
68E36533S01



CDA-9835R

<Cautions for Safe Repair Work>



The following cautions will prevent accidents in the workplace and will ensure safe products.

*The symbols indicate caution is needed to prevent injuries and damage to property.



The symbols and their meanings follow.

 Warning	If you ignore this symbol and handle the product incorrectly or unsafely, serious injury or death may result.
 Caution	If you ignore this symbol and handle the product incorrectly or unsafely, injury or only material damage may result.



*The following symbols indicate two levels of cautions.



 When you see this symbol, you have to be very careful.	
 When you see this symbol, you have to follow the instructions there.	



Warning

 Do not look squarely into the laser light coming from the pickup. You may lose your sight.	 Fuse Caution Always use a designated fuse. Use of an incorrect fuse may result in a fire.
--	--

Caution

 Do not allow wiring to be caught in the screw/chassis. If wiring is caught in the screw/chassis, it may cause a short circuit, resulting in a fire.	 Battery Caution Use the designated battery. Confirm the correct polarity and seat of the battery. An incorrect battery or an improperly connected or seated battery may result in a fire.
---	---

 High Temperature Caution Touching the heat sink may cause severe burns.	 Designated Parts Caution Look up the part list and ensure that only designated parts are used to prevent problems or accidents.
---	---

 Reverse Power Supply Connections or Misconnections Caution Reverse power supply connections or misconnections may cause ignition problems and smoke may result.	 Wiring Caution Ensure that the wiring is correct when rewiring to prevent problems with ignition/breakdown.
---	---

 Soldering Caution Hot solder from solder splash may cause severe burns.	 Wear Gloves Wear gloves to prevent electrical shocks or injury from the end face of the metal.
---	--

Contents

Packing Assembly Parts List	4
Packing Method View	4
Specifications	5 , 6
Extension Cable	7
Adjustment Procedures	8 to 11
Block Diagram	12
Parts Layout on P.W.Boards and Wiring Diagram	13 to 18
Schematic Diagram	19 to 28
Terminal Voltage of IC/ TR	29 to 42
Description of IC Terminal	42 to 51
Exploded View (Cabinet)	52 , 53
Exploded View (CD Deck Mechanism) (DP23S27R)	54

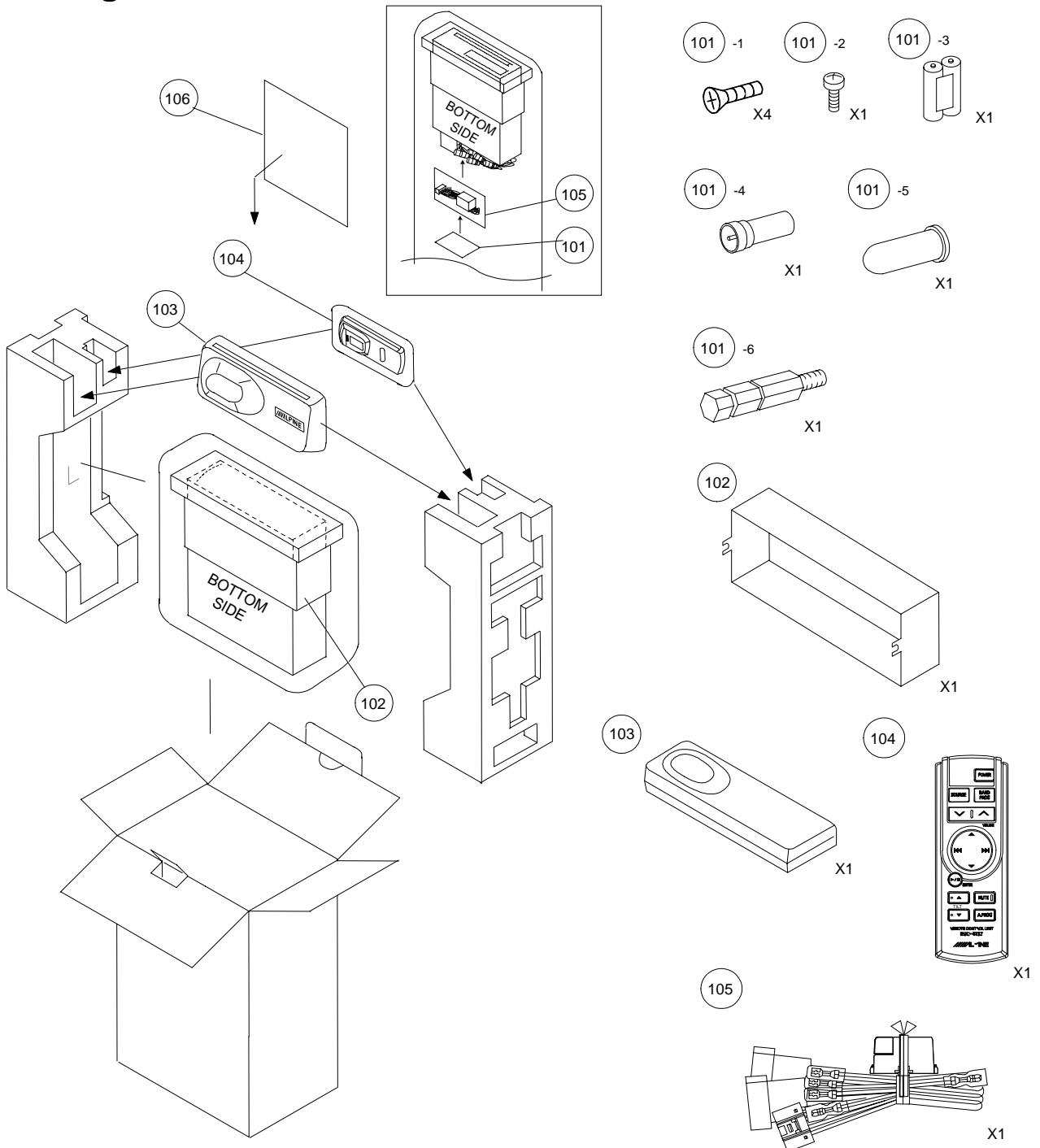
NOTE : Due to continuing product improvement, specifications and designs are subject to change without notice.

Packing Assembly Parts List

Symbol No.	Part No.	Description
101-1	03S60820Y16	SCR,MCH 5X8 ZN A
101-2	03S60824Y01	SCR,WEV 1.7X4 ZN A
101-3	60T55630W01	BAT,MGN R03(NB)UM-4
101-4	01T04296K01	ISO/JASO ANT ADAPTER
101-5	36A02449K01	CAP,RUBBER(A)
101-6	03A60836Y01	SCR,CUS 5X7 ZN A

Symbol No.	Part No.	Description
102	15D00529K02	CASE,INNER
103	15D01798K03	CARRYING,CASE
104	01T45518Y04	ASSY,REMOCON RUE4187
105	01T65572Y03	ASSY,WIRE-ISO-M9835R
106	68P04190K10	O/M AOEJ AODL

Packing Method View



Specifications

<FM RADIO>

Intermediate Frequency	10.7±0.1MHz
Frequency Range	87.5 to 108.0MHz
Usable Sensitivity (30 S/N, Mono, at 98.1MHz)	20.2dBf
-3dB Limiting Sensitivity (at 98.1MHz)	23.2dBf
Residual Noise (Ref. 400Hz, at 98.1MHz)	28±10dB
S/N Ratio (at 98.1MHz)	Stereo : 55dB Mono : 58dB
Image Rejection (at 106.1MHz)	40dB
IF Rejection (at 90.1MHz)	60dB
Distortion (Input 60dBu, at 98.1MHz)	1.0%
Frequency Response (Ref. 400Hz, at 98.1MHz)	100Hz : 0±3dB 10kHz : -10±3dB
Stereo Separation (1kHz, at 98.1MHz)	20dB
PS Sensitivity (at 98.1MHz)	36.2dBf

<MW RADIO>

Intermediate Frequency	1st : 10.7MHz 2nd : 450kHz
Frequency Range	531 to 1,602kHz
Usable Sensitivity (20dB S/N, at 999kHz)	36dB
S/N Ratio (at 999kHz)	44dB
Image Rejection (at 1,404kHz)	50dB
IF Rejection (at 603kHz)	60dB
Distortion (at 999kHz)	1.5%
Frequency Response (Ref. 400Hz, at 999kHz)	100Hz : -3±4dB 2.5kHz : -3+4, -6dB

<LW RADIO>

Intermediate Frequency	1st : 10.7MHz 2nd : 450kHz
Frequency Range	153 to 281kHz
Usable Sensitivity (20dB S/N, at 216kHz)	42dB
S/N Ratio (at 216kHz)	44dB
Image Rejection (at 270kHz)	50dB
IF Rejection (at 162kHz)	60dB
Distortion (at 216kHz)	1.5%
Frequency Response (Ref. 400Hz, at 216kHz)	100Hz : -3±4dB 2.5kHz : -3+4, -6dB

<CD SECTION>

System	Optical (Compact Disc System)
Channel Balance (1kHz)	CD : TCD-782 : 0±3dB MP3 : SCD-5100 (FOLDER4-128kbps) : 0±3dB WMA : SCD-5100 (FOLDER10-128kbps) : 0±3dB

CDA-9835R

Distortion (1kHz) CD : TCD-782 : 0.1%
MP3 : SCD-5100 (FOLDER4-128kbps) : 0.1%
WMA : SCD-5100 (FOLDER10-128kbps) : 0.1%

Frequency Response (Ref. 1kHz) CD : TCD-782 : 17Hz : 0±3dB
127Hz : 0±2dB
10.007kHz : 0±2dB
19.997kHz : -2±4dB
MP3 : SCD-5100 (FOLDER4-128kbps) : 17Hz : 0±3dB
127Hz : 0±2dB
10.007kHz : 0±2dB
19.997kHz : -2±4dB
WMA : SCD-5100 (FOLDER10-128kbps) : 17Hz : 0±3dB
127Hz : 0±2dB
10.007kHz : 0±2dB
19.997kHz : -2±4dB

S/N Ratio CD : TCD-782 : 95dB
MP3 : SCD-5100 (FOLDER4-128kbps) : 95dB
WMA : SCD-5100 (FOLDER10-128kbps) : 95dB

Separation CD : TCD-782 : 65dB
MP3 : SCD-5100 (FOLDER4-128kbps) : 65dB
WMA : SCD-5100 (FOLDER10-128kbps) : 65dB

De-Emphasis (Ref. 1kHz) CD : TCD-782 : 4kHz : -20±3dB
16kHz : -20±3dB

<Pickup>

Wave Length 795nm
Laser Power CLASS I

<GENERAL>

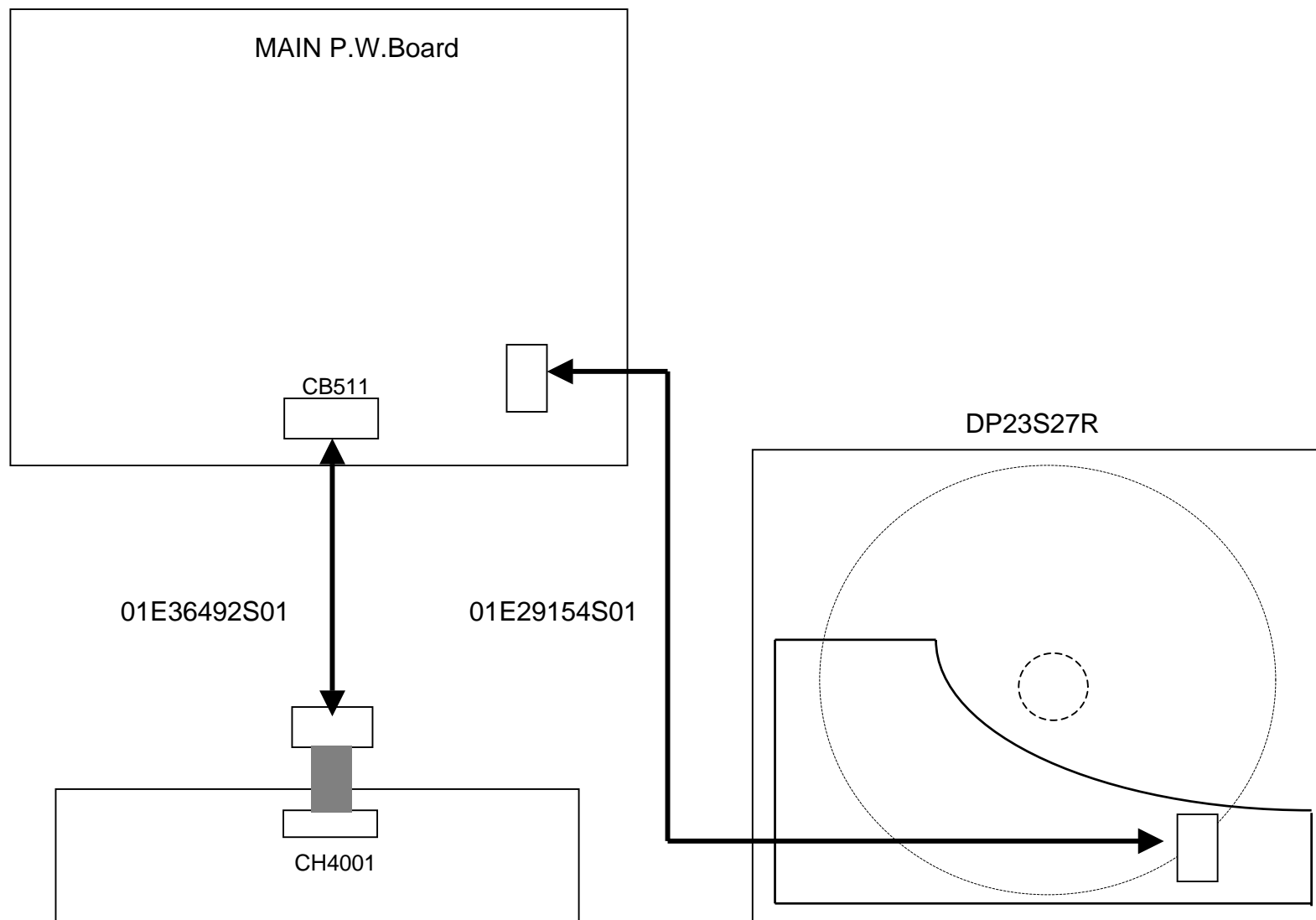
Power Supply DC14.4V
Power Output (Ref. TCD-782(1KHz, 0dB), T.H.D. 10%) /Impedance 25W/ch/4ohm
Pre Output (Ref. TCD-782(1KHz, 0dB), T.H.D. 1%) /Impedance 4V±2.5dBV/ch/10kohm
Dimensions (W x H x D) Chassis : 178 x 50 x 160mm
NOSE CLOSED : 188 x 58 x 24.6mm
NOSE OPENED : 188 x 58 x 51.7mm
Weight 1.6kg

NOTE : Due to Continuing product improvement, specifications and designs are subject to change without notice.

Extension Cable

CDA-9835R

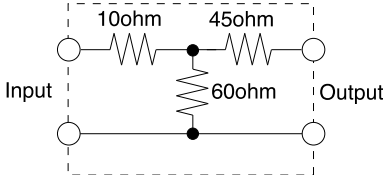
* When repairing or measuring the voltage of this unit, connect with the Extension Cable as shown in below.



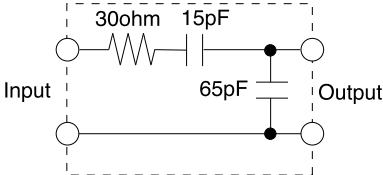
Adjustment Procedures

1. FM/MW/LW SECTION

(1) Dummy Antenna Circuit



For 50 ohm FM Signal Generator Figure 1



For 50 ohm MW/LW Signal Generator Figure 2

(2) Connections

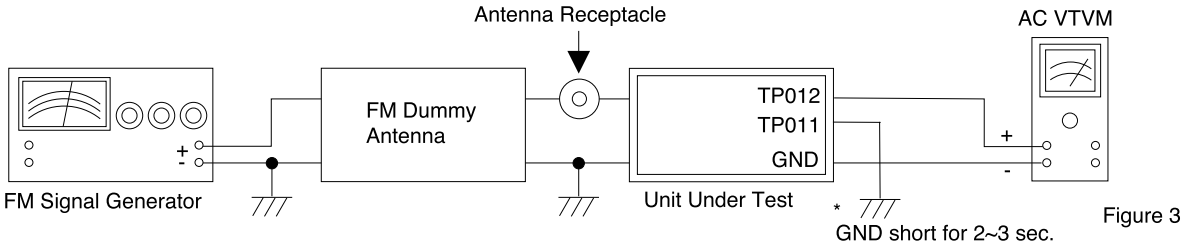


Figure 3

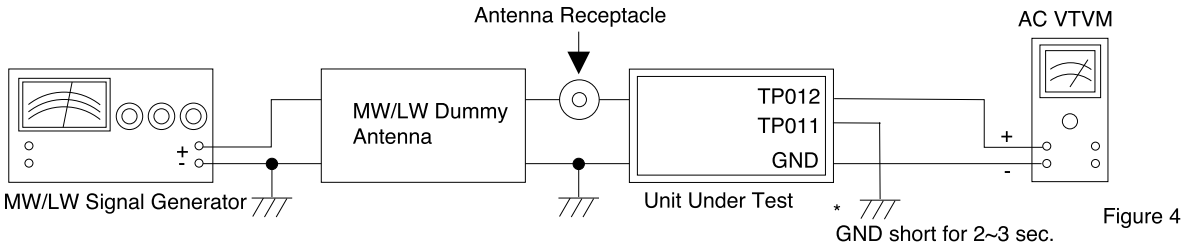


Figure 4

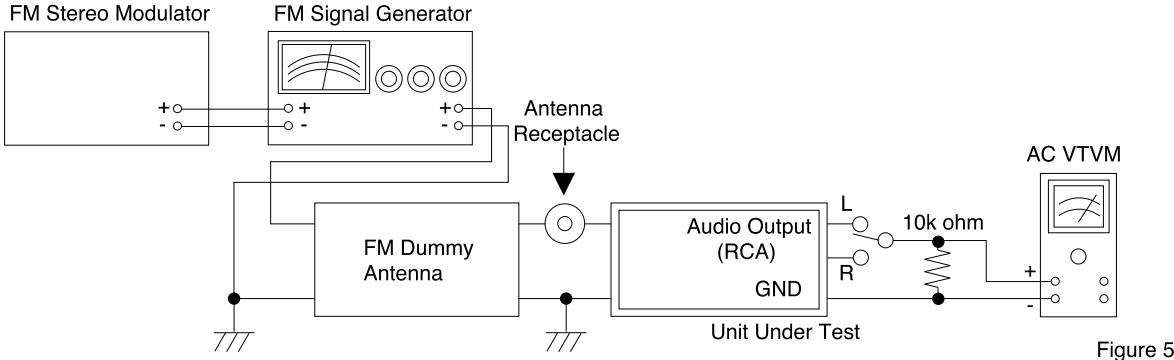


Figure 5

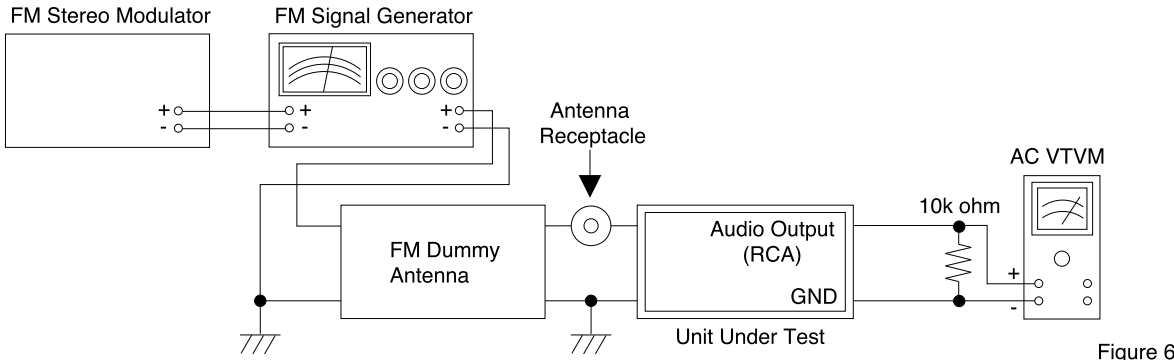


Figure 6

(3) Control Settings

Power Switch ON	Band Switch FM/MW/LW
Fader Control Center Position	T-CORR Non Effect
Balance Control Center Position	EQ FLAT
Treble Control Center Position	DEMO OFF
Bass Control Center Position	Others OFF
MX Non Effect		

(4) Adjustment Procedures

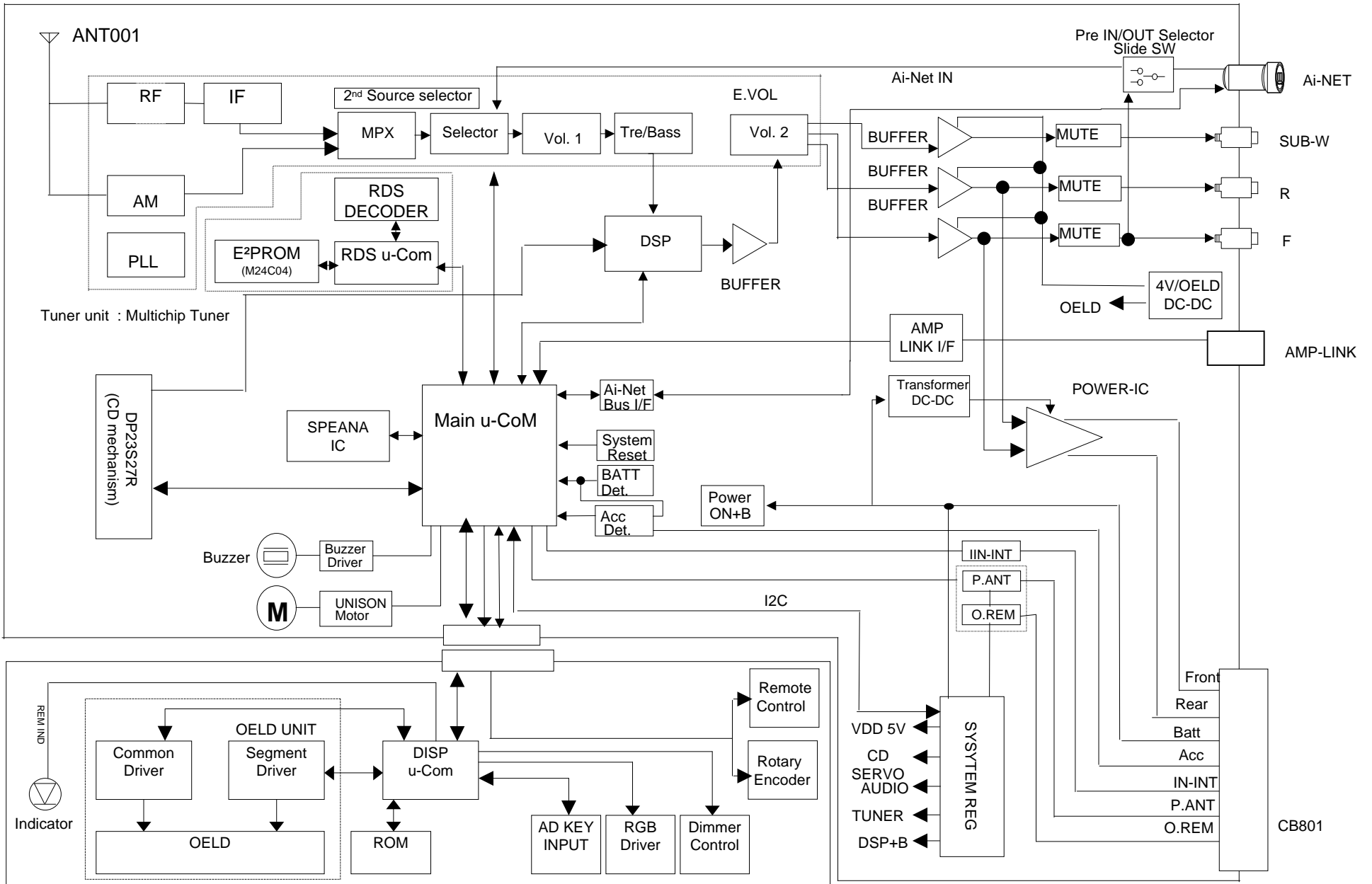
Step	Description	Connection	Signal Generator	Dial Control	Test Point / P.W.Board Coordinates	Adjustment
1	Signal Meter Auto Adjustment (FM).	Figure 3	(1) 87.5MHz , 26dBμ (Mod. OFF).	87.5MHz	TP012 (3-E) TP011 (3-E)	Auto Adjustment : After setting up of Signal Generator, short GND and TP011 (Pull-Down) for 2~3 seconds.
			(2) 87.5MHz , 26dBμ (Mod. OFF).	87.5MHz	TP012 (3-E) TP011 (3-E)	Proceed same Auto Adjustment of step (1) under step (2). (SPEC) TP012 : 1.5±0.1V → OK (SPEC) TP012 : others 1.5±0.1V → NG NOTE : NG : Proceed same Auto Adjustment of step (1) under step (3).
			(3) 87.5MHz , 21~23dBμ (Mod. OFF).	87.5MHz	TP012 (3-E) TP011 (3-E)	Proceed same Auto Adjustment of step (1) under step (3).
			(4) 87.5MHz , 26dBμ (Mod. OFF).	87.5MHz	TP012 (3-E) TP011 (3-E)	Proceed same Auto Adjustment of step (1) under step (4).
2	Signal Meter Auto Adjustment (MW).	Figure 4	(1) 999kHz , 34dBμ (Mod. OFF).	999kHz	TP012 (3-E) TP011 (3-E)	Auto Adjustment : After setting up of Signal Generator, short GND and TP011 (Pull-Down) for 2~3 seconds.
			(2) 999kHz , 34dBμ (Mod. OFF).	999kHz	TP012 (3-E) TP011 (3-E)	Proceed same Auto Adjustment of step (1) under step (2). (SPEC) TP012 : 1.0±0.1V → OK (SPEC) TP012 : others 1.0±0.1V → NG NOTE : NG : Proceed same Auto Adjustment of step (1) under step (3).
			(3) 999kHz , 29~31dBμ (Mod. OFF).	999kHz	TP012 (3-E) TP011 (3-E)	Proceed same Auto Adjustment of step (1) under step (3).
			(4) 999kHz , 34dBμ (Mod. OFF).	999kHz	TP012 (3-E) TP011 (3-E)	Proceed same Auto Adjustment of step (1) under step (4).

Step	Description	Connection	Signal Generator	Dial Control	Test Point / P.W.Board Coordinates	Adjustment	
3	Signal Meter Auto Adjustment (LW).	Figure 4	(1)	216kHz , 34dB μ . (Mod. OFF).	216kHz	TP012 (3-E) TP011. (3-E)	Auto Adjustment : After setting up of Signal Generator, short GND and TP011 (Pull-Down) for 2~3 seconds.
			(2)	216kHz , 34dB μ . (Mod. OFF).	216kHz	TP012 (3-E) TP011. (3-E)	Proceed same Auto Adjustment of step (1) under step (2). (SPEC) TP012 : 1.0 \pm 0.1V \rightarrow OK (SPEC) TP012 : others 1.0 \pm 0.1V \rightarrow NG. NOTE : NG : Proceed same Auto Adjustment of step (1) under step (3).
			(3)	216kHz , 29~31dB μ . (Mod. OFF).	216kHz	TP012 (3-E) TP011. (3-E)	Proceed same Auto Adjustment of step (1) under step (3).
			(4)	216kHz , 34dB μ . (Mod. OFF).	216kHz	TP012 (3-E) TP011. (3-E)	Proceed same Auto Adjustment of step (1) under step (4).
4	FM ST Separation (Roll OFF) Adjustment	Figure 5	(1)	—	—	—	Set up of Adjustment Mode : Push [SOURCE/POWER] + [3] at the same time.
			(2)	98.1MHz, 72dB μ (Mod. 400Hz, Dev. 75kHz, Stereo, 1kHz, Lch only)	98.1MHz	Audio Output (RCA)	Push Preset Switches (1~5), and observe value of separation. Select Preset Switch of maximum separation. (SPEC) : separation : more than 25dB.
			(3)	—	—	—	Cancel Adjustment Mode : Push [SOURCE/POWER] + [3] at the same time.
5	Stereo Blend Adjustment (Lch).	Figure 5	(1)	—	—	—	Set up of Adjustment Mode : Push [SOURCE/POWER] + [F] at the same time.
			(2)	98.1MHz, 46dB μ (Mod. 400Hz, Dev. 75kHz, Stereo, 1kHz, Lch only)	98.1MHz	Audio Output (RCA)	Push Preset Switches (1~6), and observe value of blend. (SPEC) : Blend : 8 \pm 6dB.
			(3)	—	—	—	Cancel Adjustment Mode : Push [SOURCE/POWER] + [F] at the same time.
6	Limiting Adjustment	Figure 6	(1)	—	—	—	Set up of Adjustment Mode : Push [SOURCE/POWER] + [UP] at the same time.
			(2)	98.1MHz, 24dB μ (Mod. 400Hz, Dev. 75kHz)	98.1MHz	Audio Output (RCA)	Push Preset Switches (1~5), and observe value of limiting. (SPEC) : Limiting : -3dB.
			(3)	—	—	—	Cancel Adjustment Mode : Push [SOURCE/POWER] + [UP] at the same time.

Step	Description	Connection	Signal Generator	Dial Control	Test Point / P.W.Board Coordinates	Adjustment	
7	Noise Level Adjustment	Figure 6	(1)	—	—	—	Set up of Adjustment Mode : Push [SOURCE/POWER] + [UP] at the same time.
			(2)	98.1MHz, .72 --> -20dBμ. (Mod. OFF).	98.1MHz	Audio Output (RCA)	Rotary encoder is turned and noise level is adjustment. (SPEC) : Noise Level : 33±10dB.
			(3)	—	—	—	Cancel Adjustment Mode : Push [SOURCE/POWER] + [UP] at the same time.

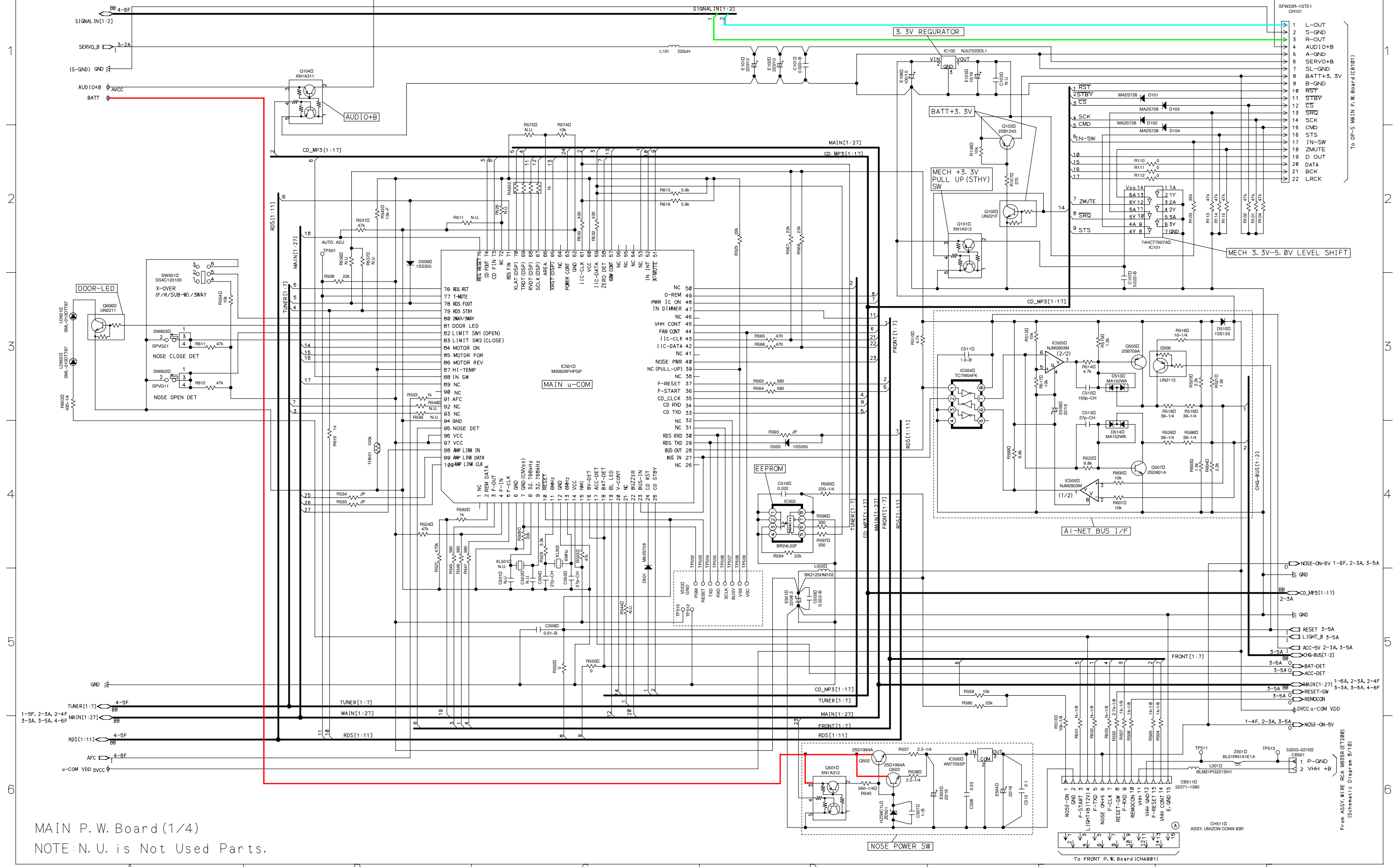
Block Diagram

CDA-9835R



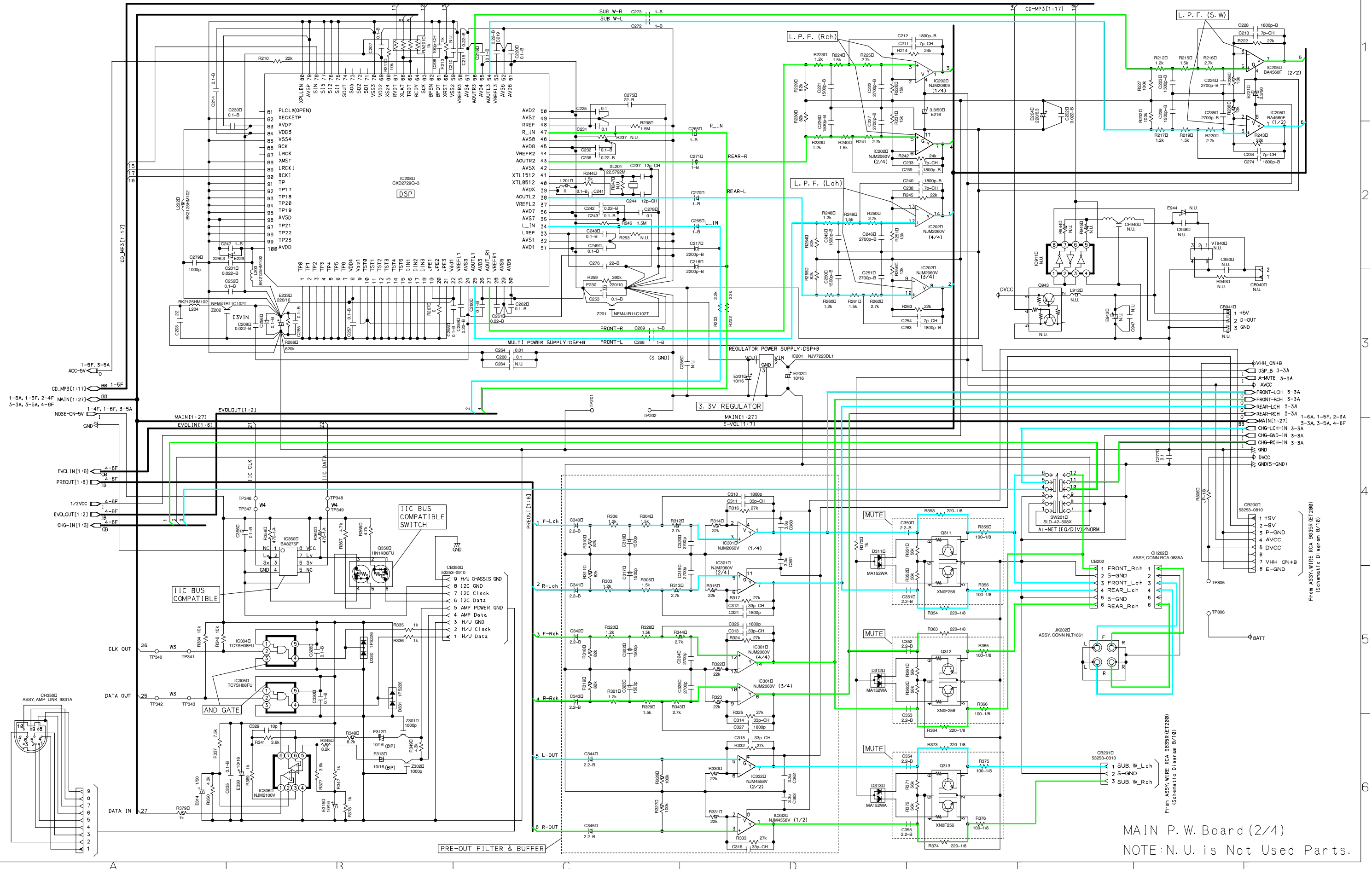
Schematic Diagram (1/10)

CDA-9835R



MAIN P.W. Board (1/4)
NOTE: N. U. is Not Used Parts.

From ASSY WIRE RCA GR515R (R7280)
(Schematic Diagram 0/10)



MAIN P.W. Board (2/4)
 NOTE: N. U. is Not Used Parts.

From ASSY WIRE RCA 9835R (ET200)
 (Schematic Diagram 5/10)

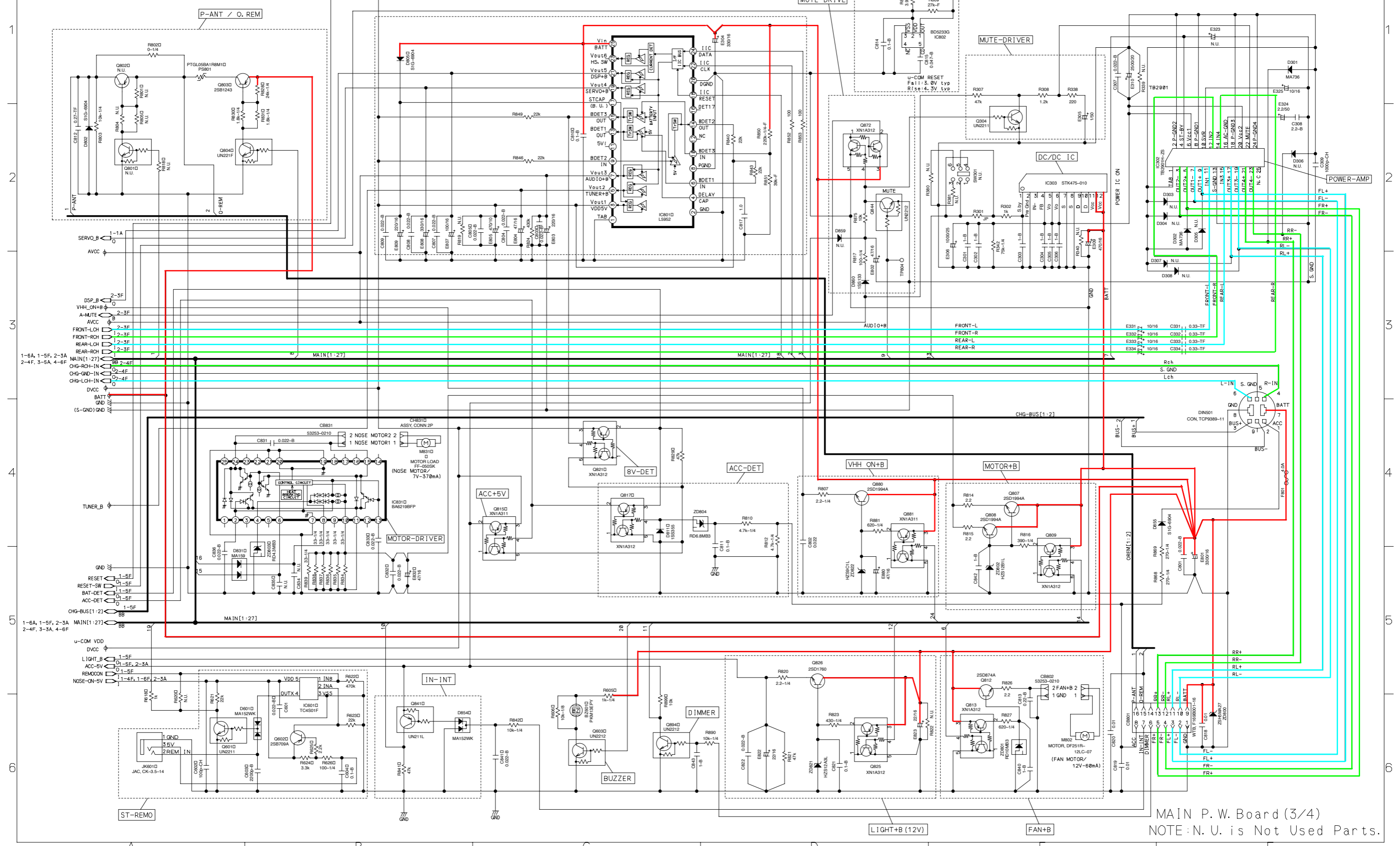
From ASSY WIRE RCA 9835R (ET200)
 (Schematic Diagram 6/10)

From ASSY WIRE RCA 9835R (ET200)
 (Schematic Diagram 7/10)

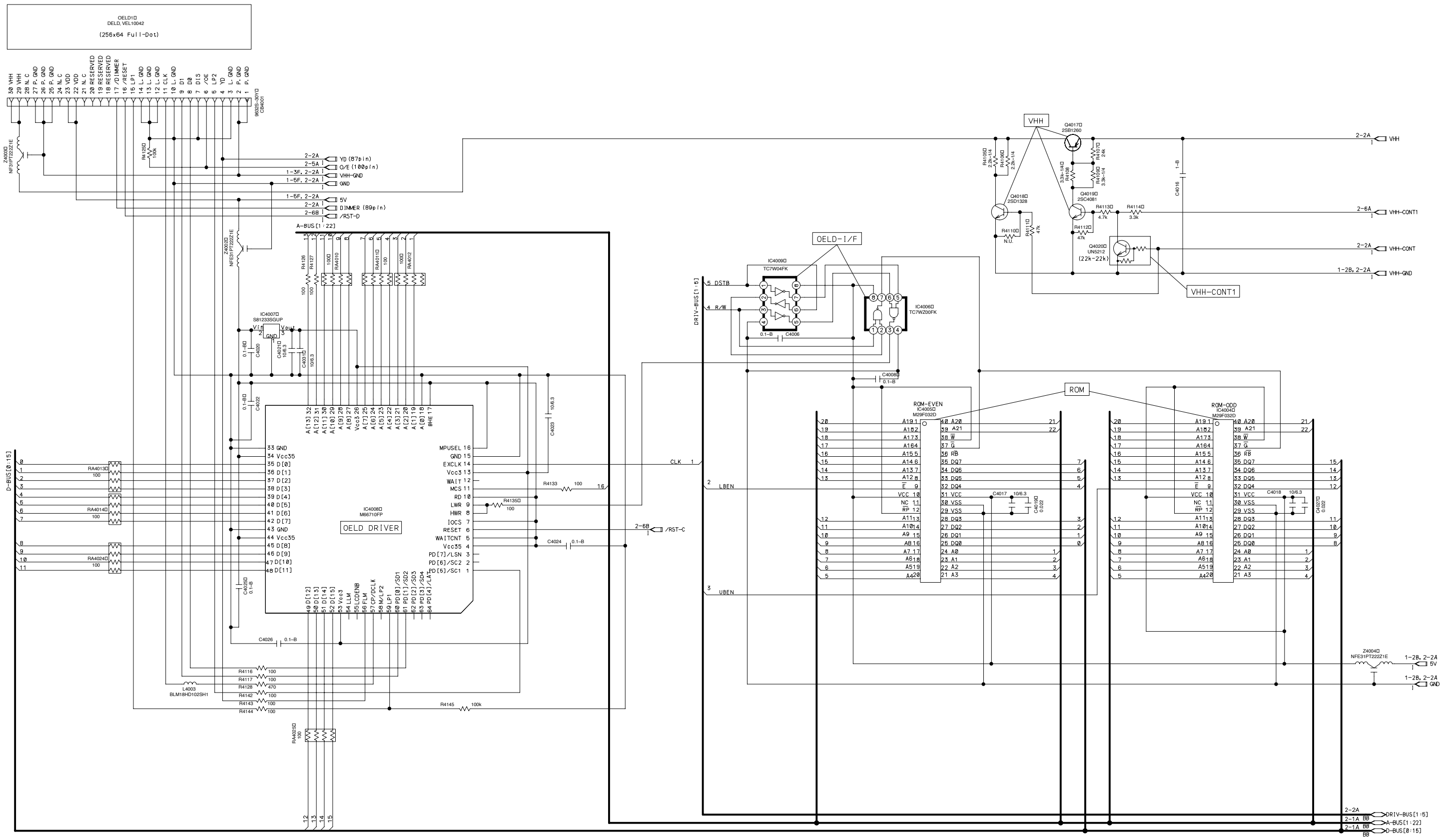
From ASSY WIRE RCA 9835R (ET200)
 (Schematic Diagram 8/10)

From ASSY WIRE RCA 9835R (ET200)
 (Schematic Diagram 9/10)

From ASSY WIRE RCA 9835R (ET200)
 (Schematic Diagram 10/10)



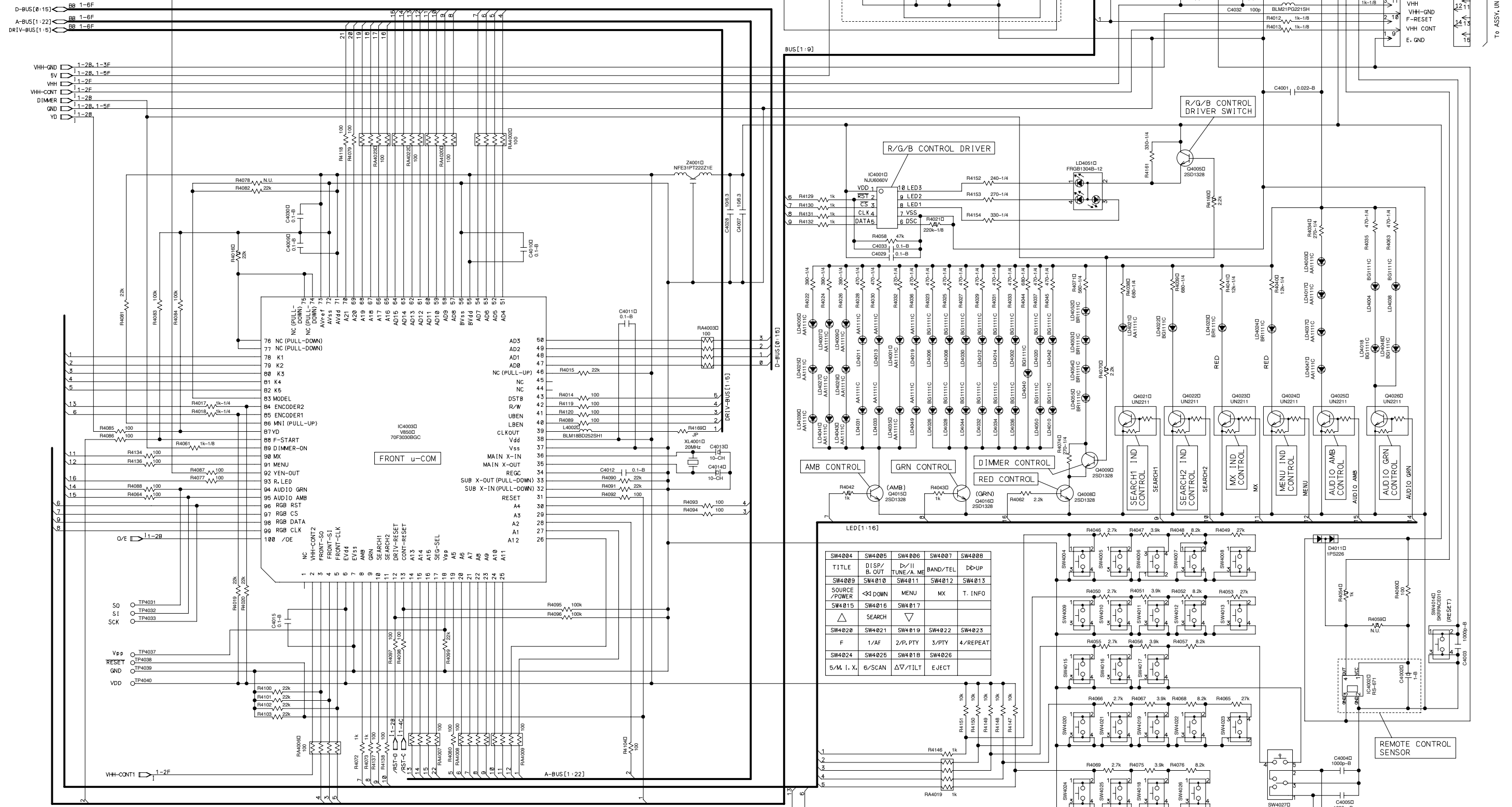
MAIN P.W. Board (3/4)
NOTE: N. U. is Not Used Parts.



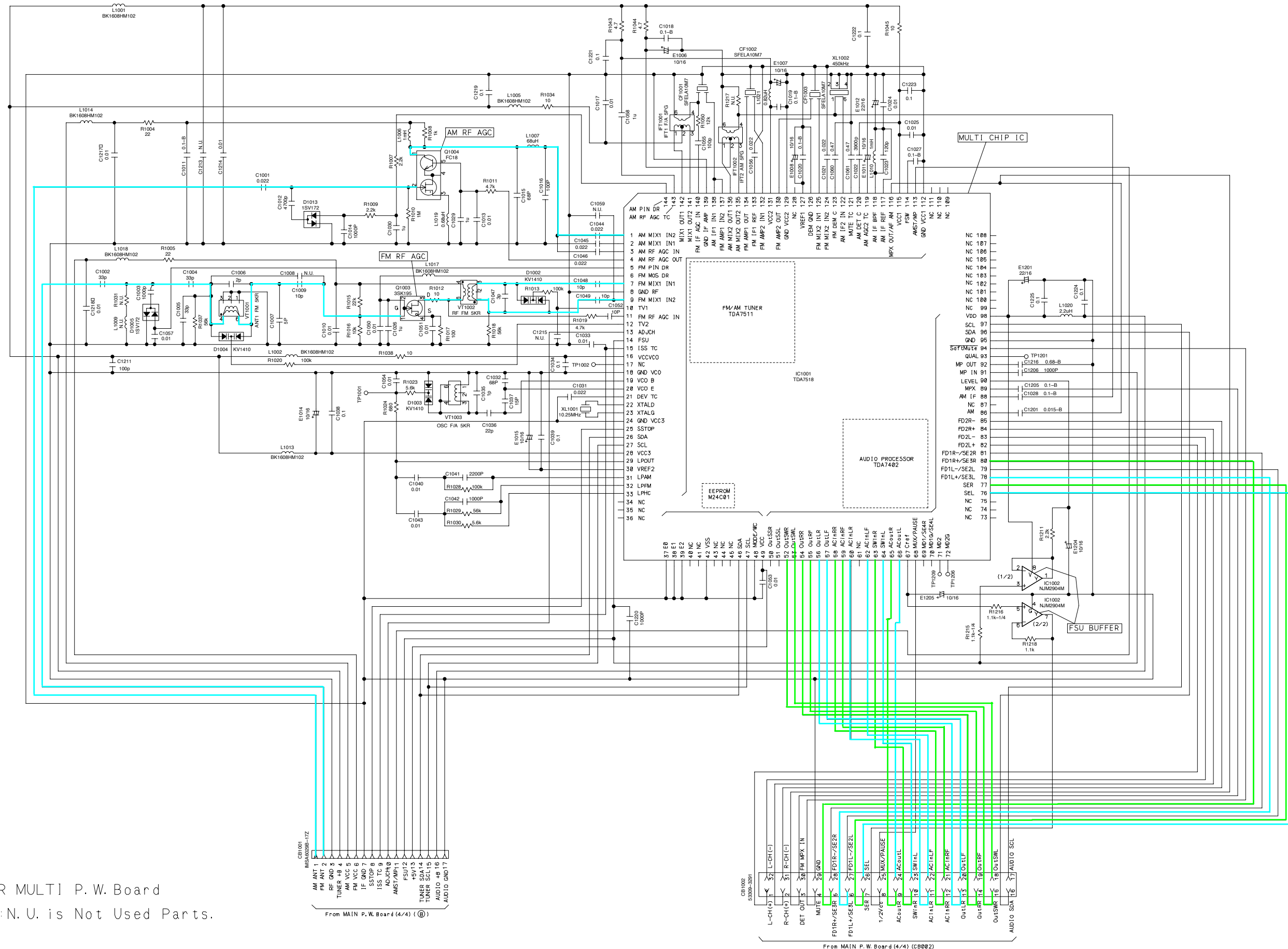
FRONT P.W. Board (1/2)
 NOTE: N.U. is Not Used Parts.

Schematic Diagram (6/10)

CDA-9835R



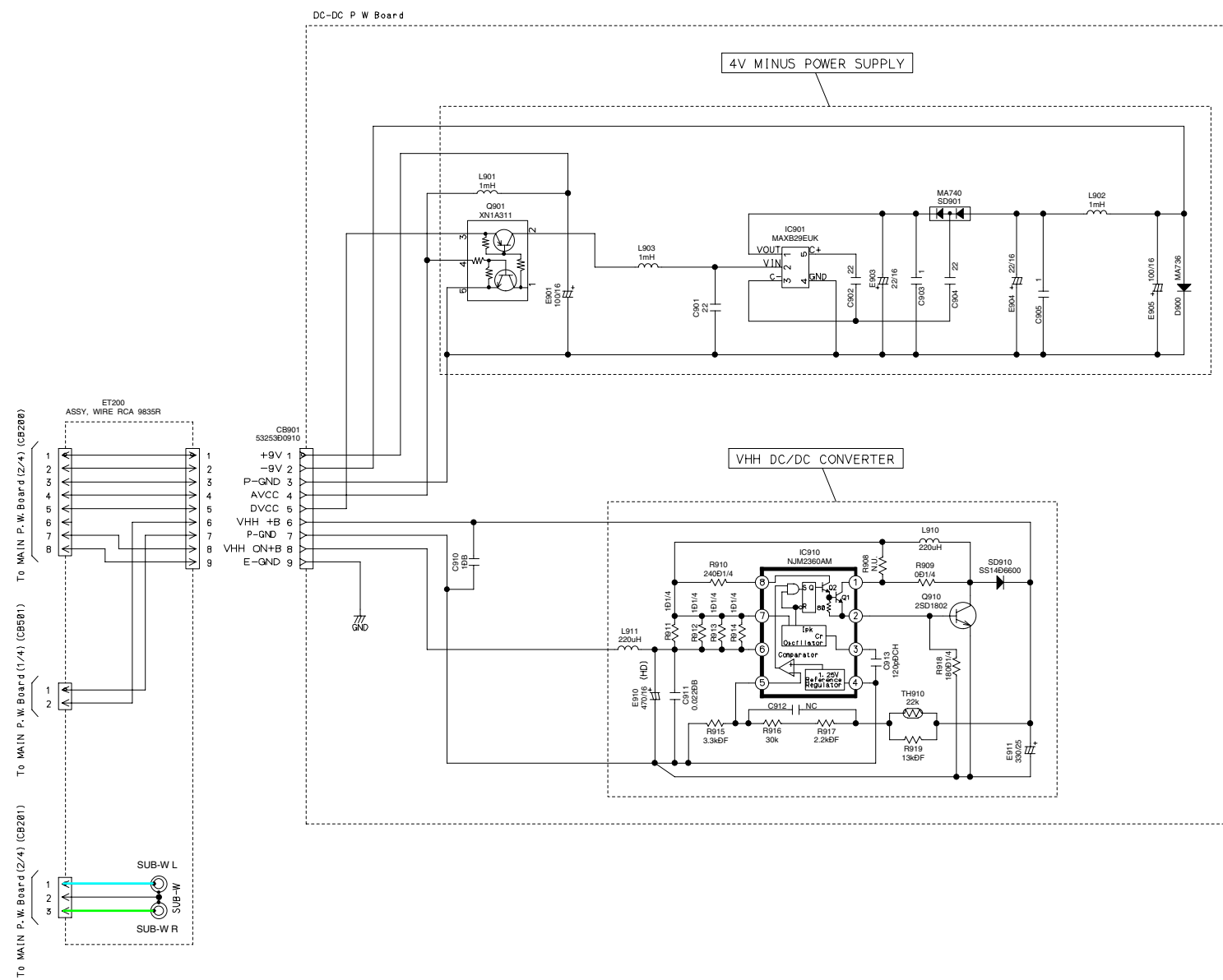
FRONT P.W. Board (2/2)
NOTE: N. U. is Not Used Parts.



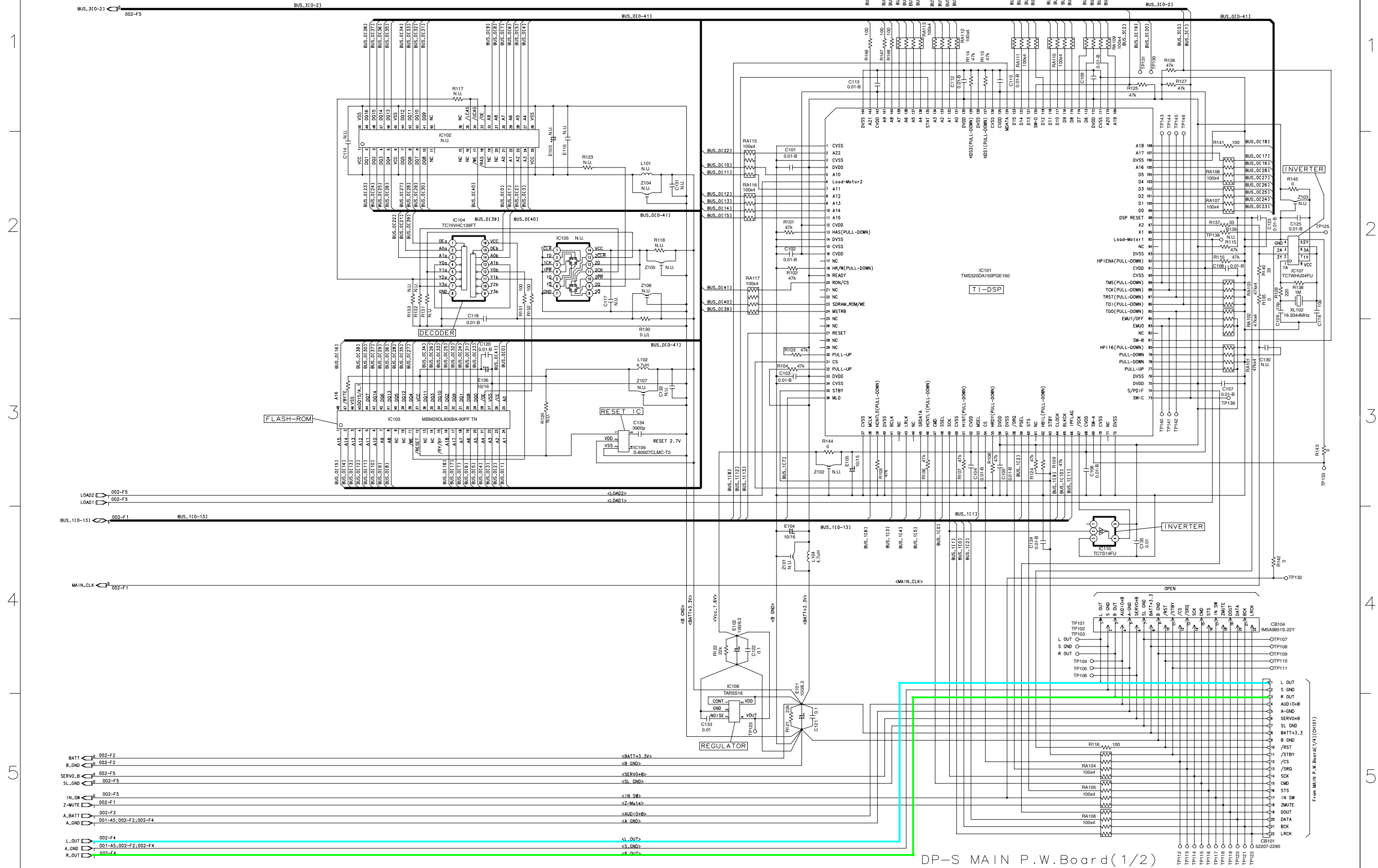
TUNER MULTI P.W. Board
 NOTE: N. U. is Not Used Parts.

From MAIN P.W. Board (4/4) (C8)

From MAIN P.W. Board (4/4) (C8002)



NOTE: N. U. is Not Used Parts.



DP-S MAIN P.W.Board(1/2)

注)回路図中のN.U.部品は未使用。

Terminal Voltage of IC/TR

IC001					
1	0		51	0	
2	NC		52	0	
3	NC		53	4.95	
4	0		54	4.95	
5	4.96		55	NC	
6	NC		56	NC	
7	NC		57	NC	
8	NC		58	NC	
9	4.95		59	NC	
10	PS		60	NC	
11	PS		61	NC	
12	0		62	NC	
13	4.99		63	NC	
14	0		64	NC	
15	4.95		65	NC	
16	4.94		66	NC	
17	4.85		67	NC	
18	NC		68	NC	
19	PS		69	NC	
20	NC		70	NC	
21	NC		71	NC	
22	NC		72	0	
23	4.96		73	NC	
24	4.96		74	NC	
25	4.49		75	NC	
26	0		76	NC	
27	0.1		77	NC	
28	PS		78	NC	
29	0.1		79	NC	
30	3.02		80	NC	
31	NC		81	NC	
32	NC		82	NC	
33	0		83	NC	
34	NC		84	NC	
35	NC		85	NC	
36	4.96		86	NC	
37	PS		87	NC	
38	PS		88	NC	
39	PS		89	NC	
40	4.94		90	NC	
41	4.96		91	NC	
42	NC		92	4.83	
43	NC		93	PS	
44	NC		94	0	
45	NC		95	PS/0	FM/MW
46	NC		96	PS/0	FM/MW
47	NC		97	PS	
48	4.96/0	Others/MUTE	98	P	
49	NC		99	0	
50	NC		100	0.15/8.26	FM/MW

IC002			
1	0	11	4.83
2	0	12	0
3	0	13	2.44
4	2.43	14	4.84
5	2.03	15	0
6	0	16	2.43
7	4.84	17	2.43
8	4.84	18	2.43
9	4.84	19	2.42
10	4.82	20	0

IC003	
1	3.05
2	3.05
3	0
4	8.25
5	8.27

IC101			
1	0	8	PS
2	0	9	PS
3	0	10	PS
4	0	11	PS
5	0	12	0
6	0	13	0
7	0	14	4.87

IC102	
1	3.31
2	4.97
3	0

IC201	
1	3.32
2	8.5
3	0

NOTE : CD Mode

IC202			
1	4.16	8	4.16
2	4.16	9	4.16
3	4.16	10	4.16
4	8.5	11	0
5	4.16	12	4.16
6	4.16	13	4.16
7	4.16	14	4.16

IC204			
1	4.19	5	PS
2	4.19	6	PS
3	4.19	7	PS
4	0	8	8.5

IC205			
1	4.17	5	4.17
2	4.17	6	4.17
3	4.17	7	4.17
4	0	8	8.5

IC208-1						
1	0	16	0	31	3.3	
2	0	17	0	32	0	
3	0	18	0	33	1.61/0	TUNER/CD
4	0	19	3.25	34	1.65	
5	0	20	0	35	0	
6	0	21	0	36	3.32	
7	0	22	3.27	37	1.64	
8	3.25	23	1.65	38	1.65	
9	0	24	0	39	3.32	
10	0	25	1.66	40	1.56	
11	0	26	3.32	41	1.63	
12	0	27	1.66	42	0	
13	0	28	1.65	43	1.65	
14	0	29	0	44	1.65	
15	0	30	3.32	45	3.3	

IC208-2					
46	0		74	NC	
47	1.65		75	0	
48	1.61/0	TUNER/CD	76	0	
49	0		77	0	
50	3.3		78	PS	
51	3.3		79	0	
52	0		80	0	
53	1.63		81	NC	
54	1.65		82	0	
55	3.3		83	3.25	
56	1.65		84	3.25	
57	0		85	0	
58	1.63		86	NC	
59	0		87	NC	
60	4.96/0	Others/RESET	88	0	
61	0		89	0/PS	TUNER/CD
62	0		90	0/PS	TUNER/CD
63	4.96/PS	Others/at pushing Key	91	0	
64	0		92	0	
65	4.9		93	0	
66	4.9/PS	Others/at pushing Key	94	0	
67	0/PS	Others/at pushing Key	95	0	
68	3.25		96	0	
69	3.25		97	0	
70	0		98	0	
71	NC		99	0	
72	NC		100	3.25	
73	NC				

IC301			
1	0	8	0
2	0	9	0
3	0	10	0
4	8.47	11	-7.94
5	0	12	0
6	0	13	0
7	0	14	0

IC302					
1	0		14	3.5	
2	0		15	3.5	
3	6.9		16	3.52/4.3	TUNER/CD
4	4.96		17	6.9	
5	6.9		18	0	
6	14.4/16.8	TUNER/CD	19	6.9	
7	6.9		20	14.4/16.8	TUNER/CD
8	0		21	6.9	
9	6.9		22	8.28	
10	8.5/10	TUNER/CD	23	6.9	
11	3.5		24	0	
12	3.5		25	14.4/16.8	TUNER/CD
13	0				

IC303				
1	0/4.58	Others/over than VOL20 at CD, CHG	7	0
2	0		8	0
3	NC		9	14.4
4	14.4/16.8	Others/over than VOL20 at CD, CHG	10	14.4
5	14.4/16.8	Others/over than VOL20 at CD, CHG	11	14.4
6	14.4/16.8	Others/over than VOL20 at CD, CHG	12	14.4

IC304	
1	5.03
2	PS
3	0
4	PS
5	4.94

IC305	
1	5.03
2	PS
3	0
4	PS
5	4.94

IC306			
1	PS	5	PS
2	1.82	6	PS
3	PS	7	PS
4	0	8	4.97

IC332			
1	0	5	0
2	0	6	0
3	0	7	0
4	-7.94	8	8.47

IC350			
1	0	5	0
2	PS	6	PS
3	PS	7	PS
4	0	8	4.96

IC500	
1	8.8
2	0
3	5.03

IC501-1					
1	NC		24	0/4.96	TUNER/CD
2	PS		25	0/4.94	TUNER/CD
3	PS		26	NC	
4	PS		27	4.90/PS	Others/CHG
5	PS		28	4.90/PS	Others/CHG
6	0		29	PS	
7	0		30	PS	
8	0.64		31	NC	
9	0.66		32	NC	
10	4.96		33	0/PS	TUNER/CD
11	2.44		34	0/PS	TUNER/CD
12	0		35	0/PS	TUNER/CD
13	2.28		36	PS	
14	4.95		37	4.95/0	Others/RESET
15	4.96		38	NC	
16	4.92		39	NC	
17	4.94		40	4.95	
18	4.94		41	0	
19	4.94		42	PS	
20	0/4.91	TUNER/CD	43	PS	
21	0/4.67	Others/Receiving AM	44	0/4.94	FAN OFF/ON
22	0/PS	Others/at pushing Key	45	4.9/0	POWER ON/OFF
23	4.90/PS	Others/CHG	46	NC	

IC501-2					
47	4.9/0	IN DIMMER OFF/ON	74	0/PS	TUNER/CD
48	4.90/0	PWR IC ON/OFF	75	4.95/0	Others/RESET
49	4.9		76	4.95/0	Others/RESET
50	NC		77	4.95	
51	4.95/0	Others/A-MUTE	78	PS	
52	0/4.9	IN-INT OFF/ON	79	4.95	
53	4.9/0	TUNER/CD	80	0/4.95	2WAY/3WAY
54	NC		81	0/4.93	DOOR LED OFF/ON
55	NC		82	4.94/0	Others/ANGLE UP
56	NC		83	0/4.94	Others/ANGLE UP
57	0/4.9	Others/60W CONT	84	4.94	
58	0/4.9	Others/ZERO	85	0/4.89	Others/ANGLE UP
59	PS		86	0/4.90	Others/ANGLE UP
60	4.96		87	4.74/1.80	Others/HIGH TEMP
61	PS		88	3.3	
62	0		89	NC	
63	4.94		90	NC	
64	NC		91	2.87/0	TUNER/CD
65	4.95		92	NC	
66	0		93	NC	
67	4.95/PS	Others/at pushing Key	94	0	
68	0/PS	Others/at pushing Key	95	2.5/4.95	NOSE ON/OFF
69	4.95		96	4.96	
70	4.95/PS	Others/at pushing Key	97	4.96	
71	PS/4.9	FM/AM	98	4.94/PS	AMP-LINK OFF/ON
72	0		99	PS	
73	0/PS	TUNER/CD	100	PS	

IC502			
1	0	5	PS
2	0	6	PS
3	4.95	7	0
4	0	8	4.96

IC504			
1	PS	5	4.9
2	PS	6	PS
3	0	7	PS
4	0	8	4.9

IC505			
1	PS	5	2.45
2	PS	6	PS
3	PS	7	PS
4	0	8	4.9

IC601	
1	4.6
2	0
3	0
4	4.7
5	4.96

IC801					
1	0		14	0	
2	0		15	2.63	
3	4.95		16	0.33	
4	4.3		17	13.25	
5	8.25/0	TUNER/CD	18	4.93	
6	4.96		19	6.98/0	CD/Others
7	8.5		20	0	
8	0		21	3.27	
9	4.96		22	PS	
10	2.1		23	14.4	
11	0.3		24	PS	
12	0		25	14.4	
13	0				

IC802		
1	4.93/0	Others/RESET
2	4.93	
3	0	
4	NC	
5	2.47	

IC831					
1	0		14	0	
2	0/5.97	Others/ANGLE UP	15	0/4.7	Others/ANGLE UP
3	0		16	0	
4	0/4	Others/ANGLE UP	17	0	
5	0		18	0	
6	0/4.4	Others/ANGLE UP	19	0	
7	0		20	0	
8	0/4.4	Others/ANGLE UP	21	0	
9	0		22	0	
10	12.43		23	0	
11	12.43		24	0/4.7	Others/ANGLE UP
12	0		25	0	
13	0				

IC901	
1	-4.14
2	4.75
3	-2
4	0
5	2.53

IC910			
1	8.74	5	1.35
2	PS	6	8.79
3	0.42	7	8.79
4	0	8	7.9

IC1001-1					
1	0/2.38	FM/AM	54	4.18	
2	0/2.38	FM/AM	55	4.18	
3	0/2.38	FM/AM	56	4.18	
4	0/2.78	FM/AM	57	4.18	
5	0		58	PS/4.18	Receiving TUNER/Others
6	7.83		59	PS/4.19	Receiving TUNER/Others
7	2.03/0	FM/AM	60	PS/4.20	Receiving TUNER/Others
8	0		61	NC	
9	2.03/0	FM/AM	62	PS/4.18	Receiving TUNER/Others
10	3.05/4.6/2.93	FM/MW/LW	63	PS/4.18	Receiving TUNER/Others
11	0.76		64	PS/4.18	Receiving TUNER/Others
12	3.05/4.6/2.93	FM/MW/LW	65	PS/4.18	Receiving TUNER/Others
13	0.14/2.35	Receiving TUNER/Others	66	PS/4.18	Receiving TUNER/Others
14	4.35/4.97	Receiving FM/Receiving AM	67	4.17	
15	0		68	PS/4.17	Receiving TUNER/Others
16	8.17		69	4.14	
17	NC		70	4.14	
18	0		71	4.16	
19	3.87		72	4.17	
20	3.37		73	NC	
21	3.31/4.31	FM/AM	74	NC	
22	PS		75	NC	
23	PS		76	4.14	
24	0		77	4.14	
25	PS		78	4.14	
26	PS		79	4.14	
27	PS		80	4.14	
28	8.19		81	4.14	
29	3/4.63/2.93	FM/MW/LW	82	4.14	
30	2.54		83	4.14	
31	2.54		84	4.14	
32	2.55		85	4.14	
33	2.53		86	PS/4.14	Receiving TUNER/Others
34	NC		87	NC	
35	NC		88	4.16	
36	NC		89	PS/4.14	Receiving TUNER/Others
37	0		90	4.32/4.97	Receiving FM/Receiving AM
38	0		91	0	
39	0		92	2.14	
40	NC		93	0.18/2.4	Receiving FM/Others
41	NC		94	3.65	
42	0		95	0	
43	NC		96	PS	
44	NC		97	PS	
45	NC		98	4.95	
46	PS		99	NC	
47	PS		100	NC	
48	0		101	NC	
49	4.97		102	NC	
50	4.18		103	NC	
51	4.18		104	NC	
52	4.18		105	NC	
53	4.18		106	NC	

IC1001-2					
107	NC		126	0	
108	NC		127	5.07	
109	NC		128	NC	
110	NC		129	0	
111	NC		130	PS/3.8	Receiving FM/Others
112	0		131	7.81	
113	0.1/0	FM/AM	132	1.97	
114	4.5/2.99		133	1.97	
115	8.09		134	PS/3.91	Receiving FM/Others
116	PS/3.13	Receiving TUNER/Others	135	PS/8.14	Receiving AM/Others
117	3.83		136	PS/8.14	Receiving AM/Others
118	3.8/PS	Others/Receiving AM	137	1.97	
119	3.03		138	1.97	
120	2.85/PS	Others/Receiving AM	139	0	
121	2.86		140	3.67	
122	3.83		141	8.1	
123	2.56		142	8.1	
124	4.32		143	6.85/3.97	FM/AM
125	4.32		144	2/0	Receiving AM/Others

IC1002					
1	4.32/4.97	Receiving FM/Receiving AM	5	4.17	
2	4.32/4.98	Receiving FM/Receiving AM	6	4.18	
3	4.32/4.99	Receiving FM/Receiving AM	7	4.18	
4	0		8	8.42	

IC4001					
1	5	6	PS		
2	5	7	0		
3	PS	8	0/5/5/5	BLUE/GRN/AMB/Others	
4	PS	9	5/0/4.4/5	BLUE/GRN/AMB/Others	
5	PS	10	5/5/0/5	BLUE/GRN/AMB/Others	

IC4002	
1	4.61
2	0
3	0
4	4.85

IC4003					
1	NC		51	PS	
2	4.97		52	PS	
3	PS		53	PS	
4	PS		54	PS	
5	PS		55	5	
6	5		56	PS	
7	0		57	PS	
8	0/4.91	Others/AMB	58	PS	
9	0/4.92	Others/GRN	59	PS	
10	4.97		60	PS	
11	4.97		61	PS	
12	4.98		62	PS	
13	4.99		63	PS	
14	PS		64	PS	
15	PS		65	PS	
16	PS		66	PS	
17	0		67	PS	
18	0		68	PS	
19	PS		69	PS	
20	PS		70	PS	
21	PS		71	4.99	
22	PS		72	0	
23	PS		73	4.99	
24	PS		74	0	
25	PS		75	0	
26	PS		76	0	
27	PS		77	0	
28	PS		78	4.99	
29	PS		79	4.99	
30	3.88		80	4.99	
31	4.43/0	Others/RESET	81	4.99	
32	0		82	4.98	
33	0.59		83	4.98	
34	3.33		84	PS	
35	1.33		85	PS	
36	1.52		86	4.98	
37	0		87	PS	
38	5		88	PS	
39	2.34		89	4.98/	DIMMER ON/OFF
40	PS		90	0/4.96	MX OFF/ON
41	PS		91	0/4.96	MENU OFF/ON
42	PS		92	0	
43	PS		93	0/4.95	RED LED OFF/ON
44	NC		94	0/4.95	GRN LED OFF/ON
45	NC		95	0/4.95	AMB LED OFF/ON
46	4.98		96	4.99	
47	PS		97	PS	
48	PS		98	PS	
49	PS		99	PS	
50	PS		100	0	

IC4004							
1	PS	11	NC	21	PS	31	4.98
2	PS	12	4.98	22	PS	32	PS
3	PS	13	PS	23	PS	33	PS
4	PS	14	PS	24	PS	34	PS
5	PS	15	PS	25	PS	35	PS
6	PS	16	PS	26	PS	36	NC
7	PS	17	PS	27	PS	37	PS
8	PS	18	PS	28	PS	38	4.98
9	PS	19	PS	29	0	39	0
10	4.98	20	PS	30	0	40	PS

IC4005							
1	PS	11	NC	21	PS	31	4.98
2	PS	12	4.98	22	PS	32	PS
3	PS	13	PS	23	PS	33	PS
4	PS	14	PS	24	PS	34	PS
5	PS	15	PS	25	PS	35	PS
6	PS	16	PS	26	PS	36	NC
7	PS	17	PS	27	PS	37	PS
8	PS	18	PS	28	PS	38	4.98
9	PS	19	PS	29	0	39	0
10	4.98	20	PS	30	0	40	PS

IC4006			
1	PS	5	PS
2	PS	6	PS
3	PS	7	PS
4	0	8	5

IC4007	
1	0
2	5
3	3.3

IC4008							
1	PS	17	4.98	33	0	49	PS
2	PS	18	0	34	4.98	50	PS
3	PS	19	PS	35	PS	51	PS
4	4.98	20	PS	36	PS	52	PS
5	4.98	21	PS	37	PS	53	3.34
6	4.99	22	PS	38	PS	54	0.1
7	4.98	23	PS	39	PS	55	4.98
8	PS	24	PS	40	PS	56	PS
9	PS	25	PS	41	PS	57	PS
10	4.98	26	PS	42	PS	58	4.98
11	PS	27	PS	43	0	59	0
12	4.94	28	PS	44	4.98	60	PS
13	3.34	29	PS	45	PS	61	PS
14	2.57	30	PS	46	PS	62	PS
15	0	31	PS	47	PS	63	PS
16	4.98	32	PS	48	PS	64	0

IC4009			
1	PS	5	PS
2	PS	6	PS
3	PS	7	PS
4	0	8	5

Ref. No.	E	C	B	NOTE
Q001	8.1	0/8.07	8.06/7.38	FM/AM
Q002	8.12	8.07/0	0/8.12	FM/AM
Q006	0	8.24	0	
Q008	0	3.73	0	
Q102	0/0	3.3/0	0/4.88	TUNER/CD
Q103	3.3/3.3	3.25/0	2.6/3.3	CD/TUNER
Q304	0	8.27/0	0/3.5	Others/MUTE
Q502	8.8	14.32	9.46	
Q503	8.86	14.32	9.48	
Q505	4.9	PS	4.9	
Q506	4.96	PS	4.96	
Q507	0	PS	0	
Q601	0	4.7	0	
Q602	0	4.95	0	
Q603	0	14.13/0	0/4.96	BUZZER OFF/ON
Q606	0	9.78/0	0/4.92	Others/OPEN
Q803	14.3	14.3	13.61	
Q804	0	0	4.9	
Q807	12.4	14	13.0	
Q808	12.4	14	13	
Q812	0/9.9	14.2	0/10.4	FAN OFF/ON
Q826	11.6/0	14.4	12.1/13.9	LIGHT ON/OFF
Q841	4.92	0/4.93	4.93/3.28	IN-INT OFF/ON
Q844	0	0/3.5	4.94/0	Others/MUTE
Q880	8.98	14.02	9.53	
Q894	0	4.93/0	0/9.7	DIMMER OFF/ON
Q910	8.24	9	8.24	
Q4001	4.98	4.98	4.23	
Q4002	0	0	4.96	
Q4003	0	0	2.86	
Q4004	0	0	4.96	
Q4005	3.9/3.4/4.2	5	5	GRN/AMB/BLUE
Q4008	0	0.72/0	0/4.6	
Q4009	0	0/0.5	0.7/0	Others/DIMMER
Q4015	0	0.72/0	0/4.6	Others/AMB
Q4016	0	0.72/0	0/4.6	Others/GRN
Q4017	16.5	16.5	0	
Q4018	0	0	4.95	
Q4019	0	0	4.96	
Q4020	0	0	4.96	
Q4021	0	10.4/0	0/5	Others/SEARCH
Q4022	0	10.4/0	0/5	Others/SEARCH
Q4023	0	10.4/0	0/5	Others/MX
Q4024	0	10.4/0	0/5	Others/MENU
Q4025	0	10.4/0	0/5	Others/A-AMB
Q4026	0	10.4/0	0/5	Others/A-GRN

Ref. No.	1	2	3	4	NOTE
Q1003	2.41/0.61	7.83/7.77	7.83/2	0.94/0	FM/AM

Ref. No.	1	2	3	4	5	NOTE
Q005	0	4.87	5.0	8.12	0	
Q101	NC	4.87	5.0	0/4.88	0	TUNER/CD
Q104	8.48/0	0.16/8.44	8.5	0/4.9	0	TUNER/CD
Q501	0	14.22	14.3	4.94	0	
Q809	0	14	14	4.93	0	
Q813	0/14.4	14.4/0	14.4	4.93/0	0	FAN ON/OFF
Q815	0	4.9	4.97	4.91	0	
Q817	0	4.91	4.93	5.88	0	
Q821	0	4.93	4.97	2.67	0	
Q825	14.17/0	14.22/14	14.23/14	0/4.92	0	LIGHT OFF/ON
Q872	14.18/0	0/14.2	14.23	0/14.2	0	Others/MUTE
Q881	0	13.92	14	4.92	0	
Q901	0	4.9	4.9	8.5	0	
Q1004	0/7.48	0/0	0/0	0/0.91	0/2.57	FM/AM

Ref. No.	1	2	3	4	5	6	NOTE
Q311	PS/0	0/0	PS/0	0/6.12	0/0	0/6.12	Others/A-MUTE
Q312	PS/0	0/0	PS/0	0/6.12	0/0	0/6.12	Others/A-MUTE
Q313	PS/0	0/0	PS/0	0/6.12	0/0	0/6.12	Others/A-MUTE
Q350	PS	4.98	PS	PS	4.98	PS	

[Measuring Conditions]

- 1.Power Supply Voltage : DC14.4V
2.Measuring Meter : Digital Multi Meter
3.Measuring Point Reference : Between GND
4.Measuring Condition : FM : 98.1MHz
MW : 999KHz
LW : 216KHz
CD : at playing Disc

(CD Deck Mechanism)

IC101											
1	L	25	H	49	H	73	L	97	PS	121	L
2	L	26	H	50	L	74	L	98	H	122	L
3	L	27	H	51	H	75	H	99	L	123	L
4	H	28	H	52	1.6	76	L	100	L	124	PS
5	L	29	H	53	PS	77	H	101	L	125	1.6
6	L	30	H	54	H	78	L	102	L	126	L
7	L	31	H	55	H	79	L	103	L	127	2.5
8	L	32	H	56	H	80	L	104	L	128	L
9	L	33	H	57	L	81	L	105	H	129	2.5
10	L	34	L	58	H	82	L	106	L	130	H
11	L	35	H	59	1.6	83	H	107	H	131	L
12	1.6	36	H	60	L	84	H	108	H	132	L
13	2.5	37	L	61	H	85	L	109	L	133	L
14	L	38	H	62	2.5	86	2.5	110	L	134	H
15	L	39	2.5	63	H	87	L	111	L	135	PS
16	H	40	L	64	H	88	2.5	112	H	136	H
17	H	41	PS	65	L	89	2.5	113	L	137	H
18	2.5	42	L	66	PS	90	L	114	L	138	L
19	H	43	PS	67	L	91	1.6	115	L	139	L
20	H	44	L	68	1.6	92	L	116	L	140	L
21	H	45	L	69	L	93	L	117	L	141	L
22	H	46	2.5	70	L	94	H	118	L	142	1.6
23	H	47	L	71	L	95	L	119	L	143	L
24	H	48	PS	72	L	96	PS	120	H	144	L

IC103											
1	H	9	L	17	H	25	L	33	L	41	L
2	H	10	L	18	L	26	H	34	L	42	L
3	H	11	H	19	L	27	L	35	L	43	L
4	H	12	H	20	H	28	H	36	L	44	L
5	L	13	L	21	H	29	L	37	H	45	L
6	L	14	L	22	H	30	L	38	L	46	L
7	L	15	L	23	L	31	L	39	L	47	H
8	L	16	H	24	L	32	L	40	L	48	H

IC104			
1	H	9	H
2	L	10	H
3	L	11	H
4	H	12	H
5	H	13	H
6	H	14	H
7	H	15	H
8	L	16	H

IC107	
1	PS
2	PS
3	H
4	L
5	L
6	PS
7	PS
8	H

IC108	
1	H
2	L
3	1.25
4	1.6
5	H

IC109	
1	H
2	H
3	L
4	L
5	L

IC110	
1	L
2	H
3	L
4	L
5	H

IC201									
1	PS	17	L	33	1.6	49	L	65	PS
2	PS	18	L	34	1.6	50	H	66	L
3	L	19	PS	35	L	51	L	67	L
4	H	20	L	36	L	52	PS	68	L
5	L	21	1.6	37	1.6	53	PS	69	L
6	L	22	1.6	38	L	54	1.4	70	L
7	L	23	H	39	L	55	PS	71	H
8	H	24	1.6	40	L	56	L	72	H
9	L	25	1.6	41	L	57	L	73	1.6
10	L	26	1.6	42	1.6	58	PS	74	L
11	L	27	1.6	43	L	59	PS	75	1.6
12	H	28	1.6	44	1.6	60	H	76	H
13	L	29	1.6	45	1	61	H	77	L
14	L	30	1.6	46	L	62	PS	78	L
15	L	31	1.6	47	1.6	63	L	79	PS
16	L	32	1.6	48	L	64	PS	80	PS

IC401							
1	L	9	1.6	17	1.65	25	1.65
2	2.76	10	1.6	18	1.65	26	1.65
3	H	11	2.12	19	1.65	27	1.65
4	1.6	12	L	20	1.65	28	1.65
5	1.6	13	1.9	21	1.65	29	1.65
6	2.5	14	L	22	1.65	30	1.65
7	0.78	15	H	23	1.65	31	1.65
8	1.7	16	L	24	0.86	32	1.65

IC501			
1	2.5	5	2.5
2	2.5	6	2.5
3	2.5	7	2.5
4	L	8	5

IC503	
1	L
2	8
3	3.3
4	L

IC504	
1	5
2	L
3	8

IC601							
1	1.65	8	7	15	H	22	1.65
2	L	9	L	16	H	23	1.65
3	1.65	10	L	17	H	24	1.65
4	1.65	11	H	18	H	25	1.65
5	1.65	12	H	19	L	26	1.65
6	1.65	13	H	20	L	27	1.65
7	1.65	14	H	21	L	28	L

	E	C	B
Q401	3.3	L	3.12

[Measuring Conditions]

1. Power Supply Voltage : DC14.4V
2. Measuring Meter : Digital Multi Voltmeter
3. Measuring Point Reference : Between GND
4. Measuring Condition : at playing Disc

Description of IC Terminal

D78F4216AGC : IC001

No.	Symbol	I/O	Terminal Description
1	IF MUTE	O	IF MUTE control terminal. (H:IF MUTE ON)
2	NC	-	No connect terminal.
3			
4	RDS-CONT	O	RDS data input prevention control terminal of adjoining station. (H:RDS OFF)
5	IF MUTE(NC)	-	No connect terminal.
6	NC		
7			
8			
9	VDD	-	Power supply terminal.
10	X2	-	Crystal OSC connect terminal for main system clock OSC. (12.288MHz)
11	X1		
12	VSS	-	GND terminal.
13	XT2(NC)	-	No connect terminal.
14	XT1(GND)	-	GND terminal.
15	RESET	I	System reset input terminal.
16	BATT-DET	I	BATT compulsion stand-by signal input terminal from VDD IC.
17	STANDBY	I	Stand-by signal input terminal from Main μ -COM.
18	NC	-	No connect terminal.
19	IS BUS Fin	I	IS BUS frame signal input terminal.
20	NC	-	No connect terminal.
21			
22			
23	AVDD	-	Analog power supply terminal of A/D converter.
24	AVREF0	I	Standard voltage input terminal of A/D converter.
25	S-METER	I	Signal-Meter input terminal.
26	MULTIPATH	I	Multipath input terminal of RDS Decoder.
27	ADJCH-DET	I	Adjoining station detect input terminal.
28	SSTOP	I	FM station detect signal input terminal.
29	AMST/MP	I	SEEK STOP detect input terminal at AM. (H:Station ON)
30	AFC	I	FM station detect signal input terminal.
31	NC(GND)	-	GND terminal.
32			
33	AVSS	-	GND terminal of A/D converter.
34	NC	-	No connect terminal.
35			
36	AVREF1	I	Standard voltage input terminal of D/A converter.
37	IS BUS RX	I	IS BUS receiving terminal.
38	IS BUS TX	O	IS BUS transmitting terminal.
39	IS BUS Fout	O	IS BUS frame signal output terminal.
40	MONITOR RXD	I	Command input terminal for RDS monitor (P/C). (Pull-up connect)
41	MONITOR TXD	O	Status output terminal for RDS monitor (P/C).
42	NC	-	No connect terminal.
43			
47			
48	T-MUTE	O	MUTE signal output terminal to Main μ -COM.
49	NC	-	No connect terminal.
50			

No.	Symbol	I/O	Terminal Description
51	MARKET1	I	Area set up terminal.
52	MARKET2		
53	MARKET3		
54	AUTOADJ	I	Auto adjustment start signal terminal of FM/AM TUNER. (L:start)
55	NC	-	No connect terminal.
71			
72			
73	NC	-	No connect terminal.
80			
81			
82	NC	-	No connect terminal.
91			
92			
93	DAVN	I	Data available input terminal of RDS Decoder.
94	TEST/VPP	-	GND terminal.
95	RDS SDA	I/O	Data input/output terminal to RDS Decoder.
96	RDS SCL	O	Clock output terminal to RDS Decoder.
97	IIC SCL	O	I2C clock output terminal to TUNER-IC(TDA7511).
98	IIC SDA	I/O	I2C data input/output terminal to TUNER-IC(TDA7511).
99	TUNER ON(NC)	-	No connect terminal.
100	FM/AM	O	FM/AM power supply switching terminal. (L:FM)

M30626FHPGP : IC501

No.	Symbol	I/O	Terminal Description
1	NC	-	No connect terminal.
2	REM DATA	I	Remote control DATA input terminal.
3	F-OUT	O	DATA output signal output terminal to FRONT u-COM.
4	F-IN	I	DATA input signal input terminal from FRONT u-COM.
5	F-CLK	I	Clock output signal input terminal from FRONT u-COM.
6	GND	-	GND terminal.
7	GND(CNVss)		
8	32.768kHz	I	Crystal OSC connect terminal for sub system clock OSC.
9		O	
10	RESET	I	System RESET input terminal.
11	6MHz	O	Crystal OSC connect terminal for main system clock OSC.
12	GND	-	GND terminal.
13	6MHz	I	Crystal OSC connect terminal for main system clock OSC.
14	VCC	-	Power supply terminal.
15	NMI	-	Pull-up connect terminal.
16	8V-DET	I	8V ON detection input terminal.
17	ACC-DET	I	ACC ON detection signal input terminal.
18	BAT-DET	I	BATT ON detection signal input terminal.
19	BL LED	O	LED control signal output terminal.
20	V-CONT	O	CD BATT power supply control signal output terminal.
21	NC	-	No connect terminal.
22	BUZZER	O	BUZZER signal output terminal.

No.	Symbol	I/O	Terminal Description
23	BUS-IN	I	Ai-NET BUS signal input terminal.
24	CD RST	O	System RESET output terminal to CD u-COM.
25	CD STBY	O	Active stand-by request signal output terminal to CD u-COM.
26	NC	-	No connect terminal.
27	BUS IN	I	Ai-NET BUS signal input terminal.
28	BUS OUT	O	Ai-NET BUS signal output terminal.
29	RDS TXD	O	Command DATA signal output terminal to RDS u-COM.
30	RDS RXD	I	Status DATA signal input terminal from RDS u-COM.
31	NC	-	No connect terminal.
32			
33	CD TXD	O	Serial DATA output terminal to CD Mechanism.
34	CD RXD	I	Serial DATA input terminal from CD Mechanism.
35	CD_CLK	O	Serial clock output terminal to CD Mechanism.
36	F-START	O	Communication start output terminal to FRONT u-COM.
37	F-RESET	O	RESET signal output terminal to FRONT u-COM.
38	NC	-	No connect terminal.
39	NC(PULL-UP)	-	Pull-up connect terminal.
40	NOSE PWR	O	NOSE around power supply control signal output terminal.
41	NC	-	No connect terminal.
42	IIC-DATA	I/O	I2C serial DATA input/output terminal.
43	IIC-CLK	O	I2C serial clock output terminal.
44	FAN CONT	O	FAN control output terminal.
45	VHH CONT	O	VHH power supply control signal output terminal of OELD.
46	NC	-	No connect terminal.
47	IN DIMMER	I	Outernal DIMMER detection signal input terminal.
48	PWR IC ON	O	POWER-IC stand-by control signal output terminal.
49	O-REM	O	REMOTE ON signal output terminal for outernal AMP.
50	NC	-	No connect terminal.
51	$\overline{\text{A-MUTE}}$	O	A-MUTE signal output terminal.
52	IN INT	I	Outernal interrupt signal input terminal. (at interrupt:H)
53	NC	-	No connect terminal.
54			
56			
57	60W CONT	O	Power supply ON control output terminal for 60W.
58	ZERO DET	I	0 Bit MUTE signal input terminal from CD u-COM.
59	IIC-DATA	I/O	I2C serial DATA input/output terminal.
60	VCC	-	Power supply terminal.
61	IIC-CLK	O	I2C serial clock output terminal.
62	GND	-	GND terminal.
63	POWER CONT	O	Power supply control signal output terminal for AUDIO/lighting.
64	NC	-	No connect terminal.
65	$\overline{\text{XRST(DSP)}}$	O	RESET signal output terminal to DSP-IC.
66	AREA	I	AREA/Function definition terminal.
67	SCLK(DSP)	O	Serial clock output terminal to DSP-IC.
68	RVDT(DSP)	O	Serial DATA output terminal to DSP-IC.
69	TRDT(DSP)	I	Serial DATA input terminal from DSP-IC.
70	XLAT(DSP)	O	DATA latch signal output terminal to DSP-IC.
71	RDS FIN	I	Status DATA signal input terminal from RDS u-COM.

No.	Symbol	I/O	Terminal Description
72	NC	-	No connect terminal.
73	CD FIN	I	Frame input terminal.
74	CD FOUT	O	Frame output terminal.
75	REG RESET	O	RESET signal output terminal to system Regulator IC.
76	RDS RST	O	RESET control signal output terminal to RDS u-COM.
77	T-MUTE	I	A-MUTE signal input terminal from RDS u-COM.
78	RDS FOUT	O	DATA output signal output terminal to RDS u-COM.
79	RDS STBY	O	Stand-by signal output terminal to RDS u-COM.
80	2WAY/3WAY	I	2WAY/3WAY switching signal input terminal.
81	DOOR LED	O	ESC LED lighting control output terminal.
82	LIMIT SW1 (OPEN)	I	OPEN LIMIT SW signal input terminal. (H:SW OFF, L:SW ON)
83	LIMIT SW2 (CLOSE)	I	CLOSE LIMIT SW signal input terminal. (H:SW OFF, L:SW ON)
84	MOTOR ON	O	Power supply control terminal for unizon MOTOR.
85	MOTOR FOR	O	Unizon MOTOR forward driving signal output terminal.
86	MOTOR REV	O	Unizon MOTOR backward driving signal output terminal.
87	HI-TEMP	I	CD HI-TEMP input terminal.
88	IN SW	I	CD DISC-IN detection signal input terminal.
89	NC	-	No connect terminal.
90			
91	AFC	I	AFC signal input terminal.
92	NC	-	No connect terminal.
93			
94	GND	-	GND terminal of A/D Converter.
95	NOSE DET	I	NOSE detachable detection terminal.
96	VCC	I	Standard voltage input terminal of A/D Converter.
97			Power supply input terminal of A/D Converter.
98	AMP LINK IN	I	AMP DATA IN input terminal for Black Box.
99	AMP LINK DATA	O	AMP DATA OUT output terminal for Black Box.
100	AMP LINK CLK	O	AMP CLK OUT output terminal for Black Box.

D70F3030BGC : IC4003

No.	Symbol	I/O	Terminal Description
1	NC	-	No connect terminal.
2	VHH-CONT2	O	VHH-CONT2 output terminal.
3	FRONT-SO	I	Serial DATA input terminal from MAIN u-COM.
4	FRONT-SI	O	Serial DATA output terminal to MAIN u-COM.
5	FRONT-CLK	O	Communication sync. CLK output terminal to MAIN u-COM.
6	Evdd	-	Power supply terminal for input/output port.
7	Evss	-	GND terminal for input/output port.
8	AMB	O	AMBER-CONT terminal.
9	GRN	O	GREEN-CONT terminal.
10	SEARCH1	O	Search AMBER-CONT terminal.
11	SEARCH2	O	Search GREEN-CONT terminal.
12	DRIV-RESET	O	OELD-DRIVER RESET terminal.
13	CONT-RESET	O	OELD-CONTRLLER RESET terminal.
14	A13	O	Outernal ROM address BUS terminal.
15	A14		
16	A15		

No.	Symbol	I/O	Terminal Description
17	SEG-SEL	O	ROM selection terminal.
18	Vpp	-	Vpp terminal at writing program.
19	A5	O	Outernal ROM address BUS terminal.
20	A6		
21	A7		
22	A8		
23	A9		
24	A10		
25	A11		
26	A12		
27	A1		
28	A2		
29	A3		
30	A4		
31	RESET	I	System RESET input terminal.
32	SUB X-IN(PULL-DOWN)	-	Pull-down connect terminal.
33	SUB X-OUT (PULL-DOWN)		
34	REGC	-	Capacitor connect terminal for regulator.
35	MAIN X-OUT	-	Crystal connect terminal. (20MHz)
36	MAIN X-IN		
37	Vss	-	GND terminal for clock.
38	Vdd	-	Power supply terminal for clock.
39	CLKOUT	O	Internal clock output terminal.
40	LBEN	O	WRL(LWR) terminal. (writing controller VRAM by L)
41	UBEN	O	UBEN(ACT) terminal.
42	R/W	O	READ/WRITE terminal of ROM.
43	DSTB	O	RD(OE) terminal. (SRAM output enable)
44	NC	-	No connect terminal.
45			
46	NC(PULL-UP)	-	Pull-up connect terminal.
47	AD0	I/O	Outernal ROM DATA terminal.
48	AD1		
49	AD2		
50	AD3		
51	AD4	I/O	Outernal ROM DATA terminal.
52	AD5		
53	AD6		
54	AD7		
55	BVdd	-	Power supply terminal for BUS INTERFACE.
56	BVss	-	GND terminal for BUS INTERFACE.
57	AD8	I/O	Outernal ROM DATA terminal.
58	AD9		
59	AD10		
60	AD11		
61	AD12		
62	AD13		
63	AD14		
64	AD15		

No.	Symbol	I/O	Terminal Description
65	A16	O	Outernal ROM address terminal.
66	A17		
67	A18		
68	A19		
69	A20		
70	A21		
71	Avdd	-	Power supply terminal for AD Converter.
72	Avss	-	GND terminal for AD Converter.
73	Avref	-	Standard voltage input terminal for AD Converter.
74	NC(PULL-DOWN)	-	Pull-down connect terminal.
75			
77			
78	K1	I	Key-IN terminal.
79	K2		
80	K3		
81	K4		
82	K5		
83	MODEL	I	MODEL terminal.
84	ENCODER2	I	ENC-OUT (self return) terminal.
85	ENCODER1	I	ENC-IN (self return) terminal.
86	MNI(PULL-UP)	-	Pull-up connect terminal.
87	YD	I	YD (recovery) OELD frame signal taking-in terminal.
88	F-START	I	Communication frame-IN terminal from MAIN u-COM.
89	DIMMER-ON	O	DIMMER-OUT terminal. (L output at DIMMER)
90	MX	O	MX-CONT terminal.
91	MENU	O	MENU-CONT terminal.
92	YEN-OUT	O	YEN-OUT terminal.
93	R.LED	O	RED-LED terminal.
94	AUDIO GRN	O	AUDIO GREEN-CONT terminal.
95	AUDIO AMB	O	AUDIO AMBER-CONT terminal.
96	RGB RST	O	RGB RESET output terminal.
97	RGB CS	O	RGB chip select output terminal.
98	RGB DATA	O	RGB DATA output terminal.
99	RGB CLK	O	RGB CLK output terminal.
100	/OE	O	/OE output terminal.

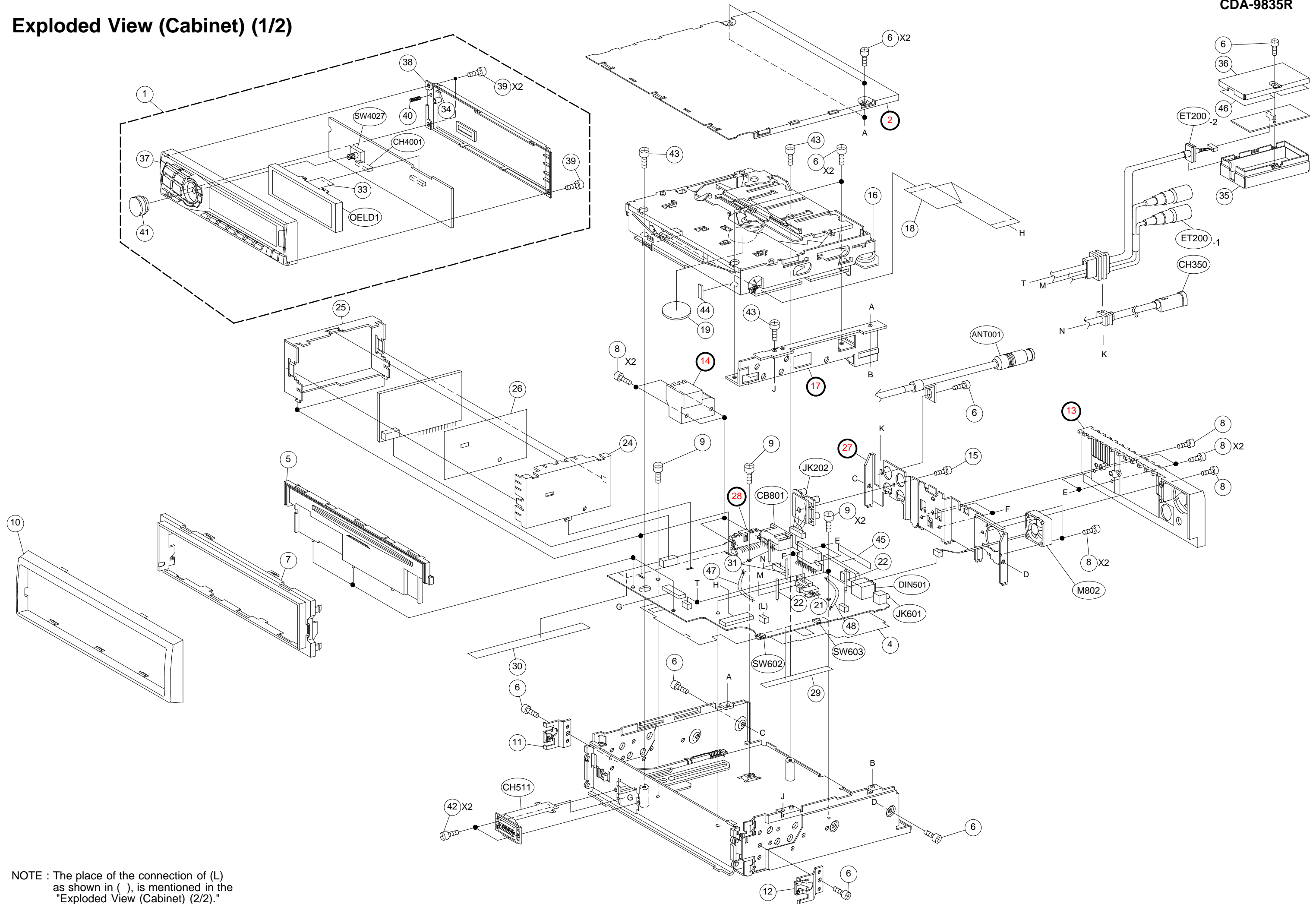
TMS320DA150PGE160 : IC101

No.	Symbol	I/O	Terminal Description
1	CVSS	-	GND connect terminal.
2	A22	O	External program address terminal.
3	CVSS	-	GND connect terminal.
4	DVDD	-	Power supply terminal. (+3.3V)
5	A10	O	External program address terminal.
6	Load-Motor2	O	LOAD motor control terminal.
7	A11	O	External program address terminal.
8	A12		
9	A13		
10	A14		
11	A15		
12	CVDD	-	Power supply terminal. (+1.6V)
13	HAS(PULL-DOWN)	-	Pull-down connect terminal.
14	DVSS	-	GND connect terminal. (+3.3V)
15	CVSS	-	GND connect terminal. (+1.6V)
16	CVDD	-	Power supply terminal. (+3.3V)
17	NC	-	No connect terminal.
18	HR/W(PULL-DOWN)	-	Pull-down connect terminal.
19	READY	-	DVDD connect terminal.
20	RON/CS	O	External program chip selection signal terminal.
21	NC	-	No connect terminal.
22	NC		
23	SDRAM_ROM/WE	O	External program read / write signal terminal.
24	NSTRB	O	External program memory strobe signal terminal.
25	NC	-	No connect terminal.
26	NC		
27	RESET	O	The RESET request signal terminal to SERVO-LSI.
28	NC	-	No connect terminal.
29	NC		
30	PULL-UP	-	Pull-up connect terminal.
31	CS	I	EPF-BUS2 communication CS signal terminal.
32	PULL-UP	-	Pull-up connect terminal.
33	DVDD	-	Power supply terminal. (+3.3V)
34	CVSS	-	GND connect terminal. (+1.6V)
35	STBY	I	EPF-BUS2 communication STBY signal terminal.
36	MLD	O	SERVO-LSI control communication Command load signal terminal.
37	CVSS	-	GND connect terminal. (+1.6V)
38	MCLK	O	SERVO-LSI control communication Command clock signal terminal.
39	HCNTL0(PULL-DOWN)	-	Pull-down connect terminal.
40	DVSS	-	GND connect terminal.
41	BCLK	I	BCLK input signal terminal.
42	NC	-	No connect terminal.
43	LRLK	I	LRCLK input signal terminal.
44	NC	-	No connect terminal.
45	SRDATA	I	SRDATA input signal terminal.
46	HCNTL1(PULL-DOWN)	-	Pull-down connect terminal.
47	CMD	I	EPF-BUS2 communication CMD signal terminal.

No.	Symbol	I/O	Terminal Description
48	SSEL	O	BCLK output signal terminal.
49	SCK	I	PF-BUS2 communication SCK signal terminal.
50	CVSS	-	GND connect terminal. (+1.6V)
51	HINT(PULL-DOWN)	-	Pull-down connect terminal.
52	CVDD	-	Power supply terminal. (+1.6V)
53	MSEL	O	LRCLK output signal terminal. (LR polarity, SMCK fixation)
54	CS	I	EPF-BUS2 communication CS signal terminal.
55	HRDY(PULL-DOWN)	-	Pull-down connect terminal.
56	DVDD	-	Power supply terminal. (+3.3V)
57	DVSS	-	GND connect terminal. (+3.3V)
58	/SRQ	O	EPF-BUS2 communication SRQ signal terminal.
59	PSEL	O	SRDATA output terminal.
60	STS	O	EPF-BUS2 communication STS signal terminal.
61	NC	-	No connect terminal.
62	HBIL(PULL-DOWN)	-	Pull-down connect terminal.
63	STBY	I	STBY demand signal terminal.
64	CLOCK	I	Sub code frame clock signal terminal. (fCLDCK=7.35kHz)
65	BLKCK	I	Sub code block clock signal terminal. (fBLDCK=75Hz)
66	IPFLAG	I	Interpolation flag signal input terminal. (H : Interpolation)
67	/SCK	I	EPF-BUS2 communication Logic reversal signal terminal of SCK.
68	CVDD	-	Power supply terminal. (+1.6V)
69	SW-A	I	DISC position detection SW-A input terminal.
70	CVSS	-	GND connect terminal. (+1.6V)
71	NC	-	No connect terminal.
72	DVSS	-	GND connect terminal. (+3.3V)
73	SW-C	I	DISC position detection SW-C input terminal.
74	S/PDIF	O	Digital. data (SPDIF) output terminal.
75	DVDD	-	Power supply terminal. (+3.3V)
76	DVSS	-	GND connect terminal. (+3.3V)
77	PULL-UP	-	Pull-up connect terminal.
78	PULL-DOWN	-	Pull-down connect terminal.
79	PULL-DOWN		
80	HPI16(PULL-DOWN)		
81	SW-B		DISC position detection SW-B input terminal.
82	NC	-	No connect terminal.
83	EMU0	I	Emulator terminal.
84	EMU1/OFF		
85	TDO(PULL-DOWN)	-	Pull-down connect terminal.
86	TDI(PULL-DOWN)		
87	TRST(PULL-DOWN)		
88	TCK(PULL-DOWN)		
89	TMS(PULL-DOWN)		
90	CVSS	-	GND connect terminal. (+1.6V)
91	CVDD	-	Power supply terminal. (+1.6V)
92	HPIENA(PULL-DOWN)	-	Pull-down connect terminal.
93	DVSS	-	GND connect terminal. (+3.3V)
94	NC	-	No connect terminal.
95	Load-Motor1	O	LOAD motor control terminal.

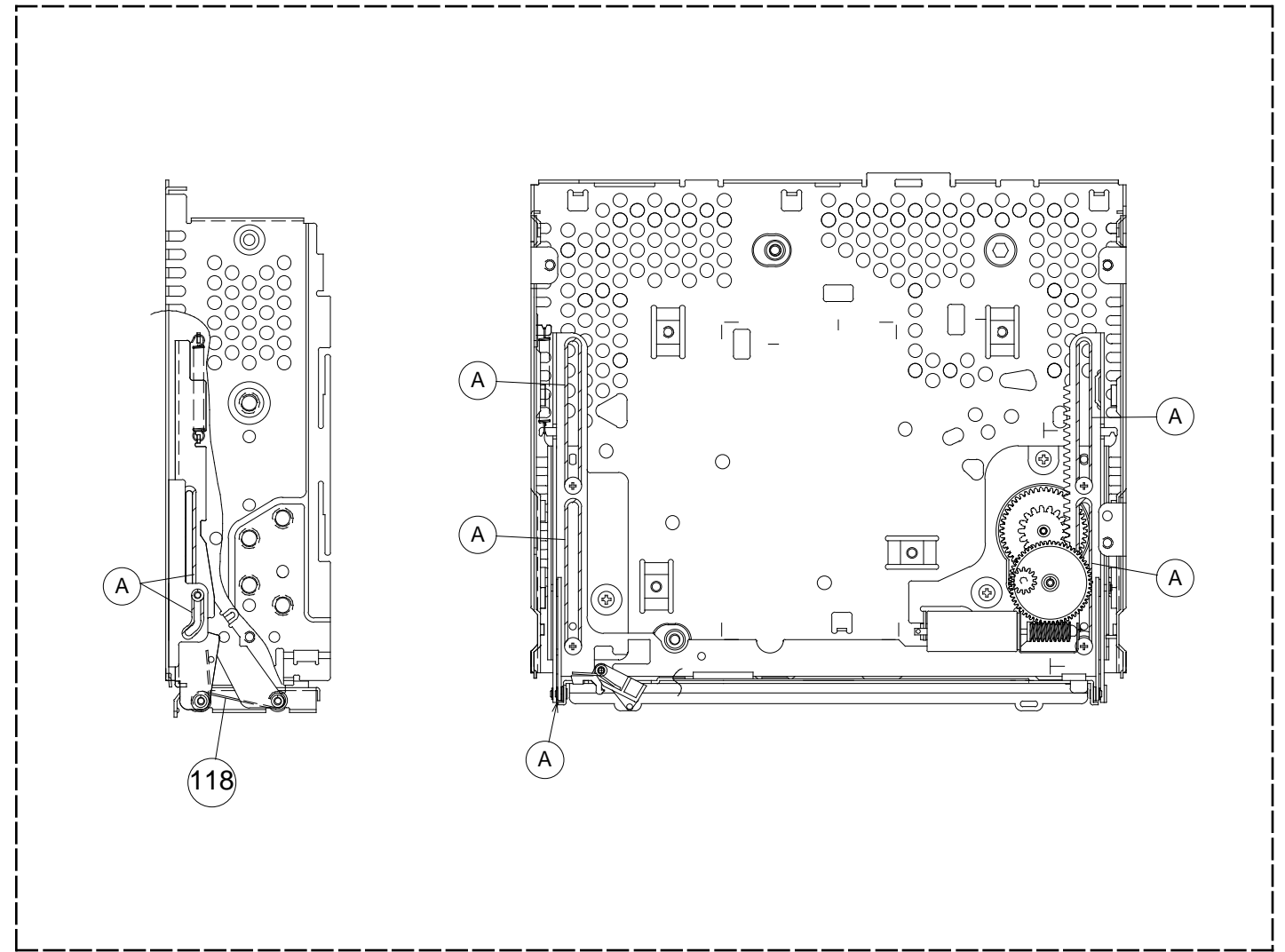
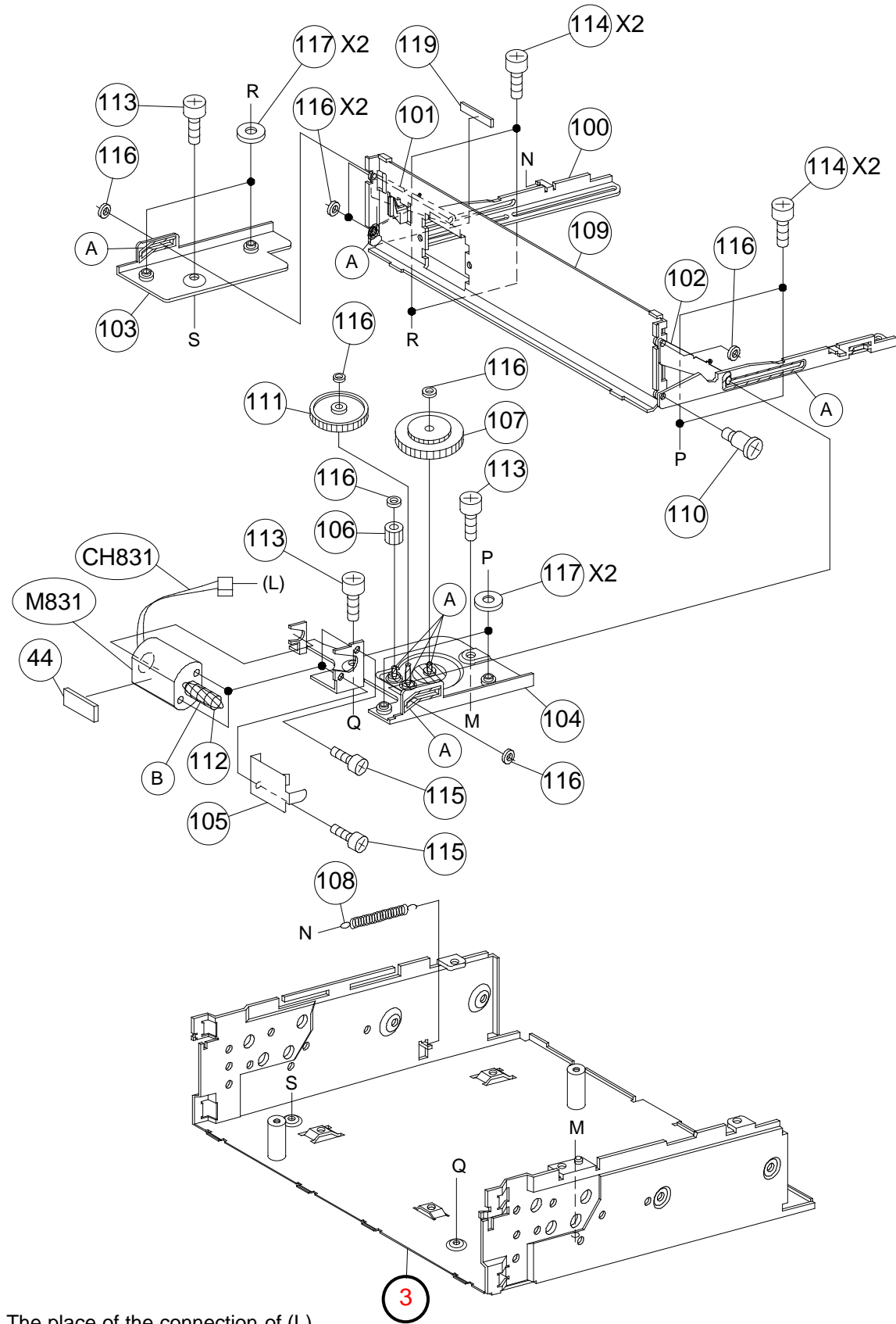
No.	Symbol	I/O	Terminal Description
96	X1(NC)	-	No connect terminal.
97	X2	I	Clock connect terminal.
98	DSP RESET	I	EPF-BUS2 communication RESET signal terminal.
99	D0	I/O	External program data terminal.
100	D1		
101	D2		
102	D3		
103	D4		
104	D5		
105	A16	O	External program address terminal.
106	DVSS	-	GND connect terminal.
107	A17	O	External program address terminal.
108	A18		
109	A19		
110	A20		
111	CVSS	-	GND connect terminal.
112	DVDD	-	Power supply terminal. (+3.3V)
113	D6	I/O	External program data terminal.
114	D7		
115	D8		
116	D9		
117	D10		
118	D11		
119	D12		
120	SW-D	I	DISC position detection SW-D input terminal.
121	D13	I/O	External program data terminal.
122	D14		
123	D15		
124	MDATA	O	SERVO-LSI control communication Command data signal terminal.
125	CVDD	-	Power supply terminal. (+1.6V)
126	CVSS	-	GND connect terminal.
127	HDS1(PULL-DOWN)	-	Pull-down connect terminal.
128	DVSS	-	GND connect terminal.
129	HDS2(PULL-DOWN)	-	Pull-down connect terminal.
130	DVDD	-	Power supply terminal. (+3.3V)
131	A0	O	External program address terminal.
132	A1		
133	A2		
134	A3		
135	STAT	I	SERVO-LSI control communication Status signal input terminal.
136	A4	O	External program address terminal.
137	A5		
138	A6		
139	A7		
140	A8		
141	A9		
142	CVDD	-	Power supply terminal. (+1.6V)
143	A21	O	External program address terminal.
144	DVSS	-	GND connect terminal.

Exploded View (Cabinet) (1/2)



NOTE : The place of the connection of (L) as shown in (), is mentioned in the "Exploded View (Cabinet) (2/2)."

Exploded View (Cabinet) (2/2)



NOTE : The place of the connection of (L) as shown in (), is mentioned in the "Exploded View (Cabinet) (1/2)."

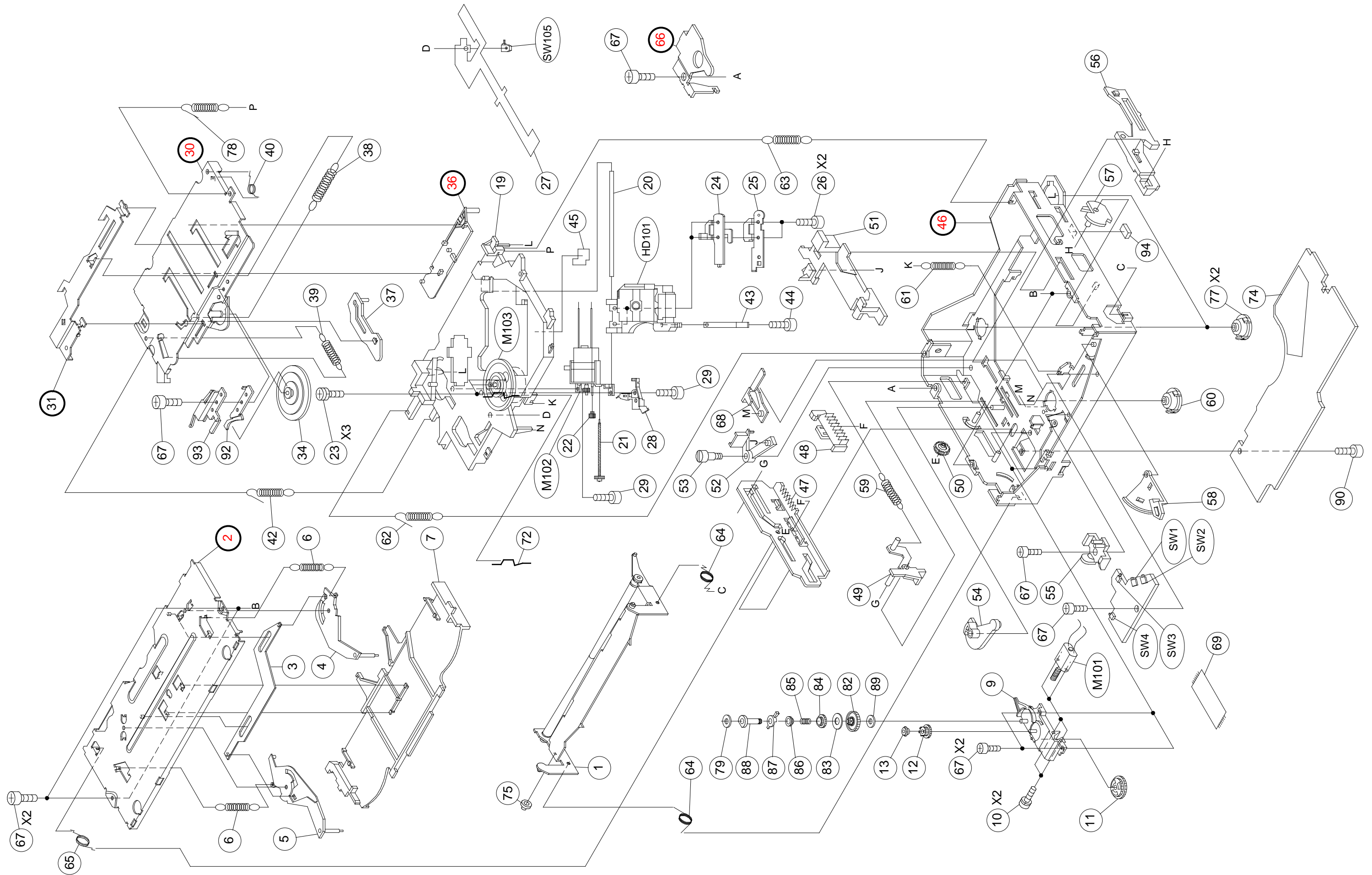
.....point of GREASE applied.

(A)	GREASE,E-PAST (11S42419J09)
(B)	GREASE,G-8007 (11S41558Y01)

Exploded View (CD Deck Mechanism)

CDA-9835R

(DP23S27R)



Electrical Parts List

* Each parts on P.W.Board are described in order of the reference number.

=====MAIN P.W.Board

BZ601	50T15447Y02	BUZZER,PKM13EPY -R5
C001	08S45677W60	CAP,CER 102J-CH1H-CP
C003	08S45677W07	CAP,CER.5R0C-CH1H-CP
C004	08S45677W12	CAP,CER.10RD-CH1H-CP
C006	08S45676W89	CAP,CER 473K-B1E -CP
C007	08S45676W80	CAP,CER 223K-B1E -CP
C008	08S45676W65	CAP,CER.222K-B1H -CP
C010	08S45676W85	CAP,CER 104K-B1C -CP
C012	08S45677W60	CAP,CER 102J-CH1H-CP
C014	08S45677W48	CAP,CER.331J-CH1H-CP
C015	08S45676W65	CAP,CER.222K-B1H -CP
C016	08S45677W36	CAP,CER.101J-CH1H-CP
C017	08S65674Y05	CAP,CER 105KX5R1C-CP
C018	08S45676W80	CAP,CER 223K-B1E -CP
C019	08S45676W80	CAP,CER 223K-B1E -CP
C020	08S45677W54	CAP,CER 561J-CH1H-CP
C021	08S45676W80	CAP,CER 223K-B1E -CP
C023	08S45677W22	CAP,CER.27RJ-CH1H-CP
C024	08S45677W22	CAP,CER.27RJ-CH1H-CP
C025	08S45676W65	CAP,CER.222K-B1H -CP
C026	08S35349Y17	CAP,CER 225K-B0J -CP
C027	08S45676W85	CAP,CER 104K-B1C -CP
C028	08S45677W12	CAP,CER.10RD-CH1H-CP
C029	08S45677W12	CAP,CER.10RD-CH1H-CP
C031	08S45676W73	CAP,CER.103K-B1H -CP
C032	08S45676W80	CAP,CER 223K-B1E -CP
C033	08S45677W60	CAP,CER 102J-CH1H-CP
C034	08S45676W80	CAP,CER 223K-B1E -CP
C036	08S45676W80	CAP,CER 223K-B1E -CP
C040	08S45676W73	CAP,CER.103K-B1H -CP
C041	08S45676W80	CAP,CER 223K-B1E -CP
C045	08S82122F32	CAP,CER.62RJ-CH1H-CP
C046	08S82122F27	CAP,CER.39RJ-CH1H-CP
C047	08S82122F19	CAP,CER.18RJ-CH1H-CP
C101	08S45676W80	CAP,CER 223K-B1E -CP
C107	08S45676W80	CAP,CER 223K-B1E -CP
C200	08T81833F06	CAP,CP.104-K-R -CP
C201	08S45676W80	CAP,CER 223K-B1E -CP
C202	08S45676W80	CAP,CER 223K-B1E -CP
C203	08S65671Y01	CAP,CER 226KX5R1A-CP
C207	08S45676W85	CAP,CER 104K-B1C -CP
C208	08S45677W36	CAP,CER.101J-CH1H-CP
C209	08S45676W80	CAP,CER 223K-B1E -CP
C211	08S45677W09	CAP,CER 7R0D-CH1H-CP
C212	08S45676W64	CAP,CER.182K-B1H -CP
C213	08S45677W09	CAP,CER 7R0D-CH1H-CP
C214	08S45676W85	CAP,CER 104K-B1C -CP
C215	08S65669Y03	CAP,CER 224KX7R1H-CP
C216	08S45676W85	CAP,CER 104K-B1C -CP
C217	08S45676W65	CAP,CER.222K-B1H -CP
C218	08S45676W65	CAP,CER.222K-B1H -CP

C219	08S65669Y03	CAP,CER 224KX7R1H-CP
C220	08S45676W85	CAP,CER 104K-B1C -CP
C221	08S45676W63	CAP,CER 152K-B1H -CP
C222	08S45676W66	CAP,CER.272K-B1H -CP
C223	08S45676W63	CAP,CER 152K-B1H -CP
C224	08S45676W66	CAP,CER.272K-B1H -CP
C225	08S45676W85	CAP,CER 104K-B1C -CP
C226	08S45676W63	CAP,CER 152K-B1H -CP
C227	08S45676W66	CAP,CER.272K-B1H -CP
C228	08S45676W64	CAP,CER.182K-B1H -CP
C229	08S45676W63	CAP,CER 152K-B1H -CP
C230	08S45676W85	CAP,CER 104K-B1C -CP
C231	08S45676W85	CAP,CER 104K-B1C -CP
C232	08S45676W85	CAP,CER 104K-B1C -CP
C233	08S45677W09	CAP,CER 7R0D-CH1H-CP
C234	08S45677W09	CAP,CER 7R0D-CH1H-CP
C235	08S45676W66	CAP,CER.272K-B1H -CP
C236	08S65669Y03	CAP,CER 224KX7R1H-CP
C237	08S45677W14	CAP,CER.12RJ-CH1H-CP
C238	08S45677W09	CAP,CER 7R0D-CH1H-CP
C239	08S45676W64	CAP,CER.182K-B1H -CP
C240	08S45676W64	CAP,CER.182K-B1H -CP
C241	08S45676W85	CAP,CER 104K-B1C -CP
C242	08S65669Y03	CAP,CER 224KX7R1H-CP
C243	08S45676W85	CAP,CER 104K-B1C -CP
C244	08S45677W14	CAP,CER.12RJ-CH1H-CP
C245	08S45676W63	CAP,CER 152K-B1H -CP
C246	08S45676W66	CAP,CER.272K-B1H -CP
C247	08S65674Y05	CAP,CER 105KX5R1C-CP
C248	08S45676W85	CAP,CER 104K-B1C -CP
C249	08S45676W85	CAP,CER 104K-B1C -CP
C250	08S45676W63	CAP,CER 152K-B1H -CP
C251	08S45676W66	CAP,CER.272K-B1H -CP
C252	08S45676W85	CAP,CER 104K-B1C -CP
C253	08S45676W85	CAP,CER 104K-B1C -CP
C254	08S45677W09	CAP,CER 7R0D-CH1H-CP
C255	08S65674Y05	CAP,CER 105KX5R1C-CP
C256	08S45676W85	CAP,CER 104K-B1C -CP
C257	08S45676W85	CAP,CER 104K-B1C -CP
C258	08S45676W85	CAP,CER 104K-B1C -CP
C259	08S65669Y03	CAP,CER 224KX7R1H-CP
C260	08S45676W85	CAP,CER 104K-B1C -CP
C261	08S65667Y01	CAP,CER 224KX5R1C-CP
C262	08S45676W85	CAP,CER 104K-B1C -CP
C263	08S45676W64	CAP,CER.182K-B1H -CP
C264	08S45676W73	CAP,CER.103K-B1H -CP
C265	08S65674Y05	CAP,CER 105KX5R1C-CP
C266	08S65674Y05	CAP,CER 105KX5R1C-CP
C267	08S65674Y05	CAP,CER 105KX5R1C-CP
C268	08S65676Y05	CAP,CER 105KX7R1E-CP
C269	08S65676Y05	CAP,CER 105KX7R1E-CP
C270	08S65676Y05	CAP,CER 105KX7R1E-CP
C271	08S65676Y05	CAP,CER 105KX7R1E-CP
C272	08S65676Y05	CAP,CER 105KX7R1E-CP
C273	08S65676Y05	CAP,CER 105KX7R1E-CP
C274	08S45676W64	CAP,CER.182K-B1H -CP
C275	08S65671Y01	CAP,CER 226KX5R1A-CP

C276	08S65671Y01	CAP,CER 226KX5R1A-CP
C277	08T81833F06	CAP,CP.104-K-R -CP
C278	08T81833F06	CAP,CP.104-K-R -CP
C279	08S45677W60	CAP,CER 102J-CH1H-CP
C280	08S65674Y05	CAP,CER 105KX5R1C-CP
C281	08S65674Y05	CAP,CER 105KX5R1C-CP
C282	08S65674Y05	CAP,CER 105KX5R1C-CP
C283	08S65674Y05	CAP,CER 105KX5R1C-CP
C285	08S45676W85	CAP,CER 104K-B1C -CP
C301	08S65676Y05	CAP,CER 105KX7R1E-CP
C302	08S65676Y05	CAP,CER 105KX7R1E-CP
C303	08S65674Y05	CAP,CER 105KX5R1C-CP
C304	08S65676Y05	CAP,CER 105KX7R1E-CP
C305	08S65676Y05	CAP,CER 105KX7R1E-CP
C306	08S65676Y05	CAP,CER 105KX7R1E-CP
C307	08S65128F78	CAP,CER.223K-B1H -CP
C308	08S65676Y03	CAP,CER 225KX7R1C-CP
C309	08S45677W60	CAP,CER 102J-CH1H-CP
C310	08S45676W64	CAP,CER.182K-B1H -CP
C311	08S45677W24	CAP,CER 33RJ-CH1H-CP
C312	08S45677W24	CAP,CER 33RJ-CH1H-CP
C313	08S45677W24	CAP,CER 33RJ-CH1H-CP
C314	08S45677W24	CAP,CER 33RJ-CH1H-CP
C315	08S45677W24	CAP,CER 33RJ-CH1H-CP
C316	08S45677W24	CAP,CER 33RJ-CH1H-CP
C317	08S45676W63	CAP,CER 152K-B1H -CP
C318	08S45676W63	CAP,CER 152K-B1H -CP
C319	08S45676W66	CAP,CER.272K-B1H -CP
C320	08S45676W66	CAP,CER.272K-B1H -CP
C321	08S45676W64	CAP,CER.182K-B1H -CP
C322	08S45676W63	CAP,CER 152K-B1H -CP
C323	08S45676W63	CAP,CER 152K-B1H -CP
C324	08S45676W66	CAP,CER.272K-B1H -CP
C325	08S45676W66	CAP,CER.272K-B1H -CP
C326	08S45676W64	CAP,CER.182K-B1H -CP
C327	08S45676W64	CAP,CER.182K-B1H -CP
C328	08S45676W85	CAP,CER 104K-B1C -CP
C329	08S45677W12	CAP,CER.10RD-CH1H-CP
C330	08S45676W85	CAP,CER 104K-B1C -CP
C331	08T25628Y01	CAP,TF 334M-1C -CP
C332	08T25628Y01	CAP,TF 334M-1C -CP
C333	08T25628Y01	CAP,TF 334M-1C -CP
C334	08T25628Y01	CAP,TF 334M-1C -CP
C335	08S45676W85	CAP,CER 104K-B1C -CP
C340	08S65676Y03	CAP,CER 225KX7R1C-CP
C341	08S65676Y03	CAP,CER 225KX7R1C-CP
C342	08S65676Y03	CAP,CER 225KX7R1C-CP
C343	08S65676Y03	CAP,CER 225KX7R1C-CP
C344	08S65676Y03	CAP,CER 225KX7R1C-CP
C345	08S65676Y03	CAP,CER 225KX7R1C-CP
C350	08S65676Y03	CAP,CER 225KX7R1C-CP
C351	08S65676Y03	CAP,CER 225KX7R1C-CP
C352	08S65676Y03	CAP,CER 225KX7R1C-CP
C353	08S65676Y03	CAP,CER 225KX7R1C-CP
C354	08S65676Y03	CAP,CER 225KX7R1C-CP
C355	08S65676Y03	CAP,CER 225KX7R1C-CP
C356	08S35374W01	CAP,CER 104K-B1E-CP

CDA-9835R

C360	08T65463Y01	CAP,CER 335K-B1A -CP
C361	08T65463Y01	CAP,CER 335K-B1A -CP
C362	08T65463Y01	CAP,CER 335K-B1A -CP
C363	08T65463Y01	CAP,CER 335K-B1A -CP
C503	08S45676W80	CAP,CER 223K-B1E -CP
C504	08S45677W22	CAP,CER.27RJ-CH1H-CP
C505	08S45677W22	CAP,CER.27RJ-CH1H-CP
C507	08S65674Y05	CAP,CER 105KX5R1C-CP
C508	08S65669Y01	CAP,CER 334KX7R1E-CP
C509	08S45676W73	CAP,CER.103K-B1H -CP
C510	08S45677W36	CAP,CER.101J-CH1H-CP
C511	08S65674Y05	CAP,CER 105KX5R1C-CP
C512	08S45676W85	CAP,CER 104K-B1C -CP
C513	08S45677W22	CAP,CER.27RJ-CH1H-CP
C516	08S45676W80	CAP,CER 223K-B1E -CP
C601	08S45676W80	CAP,CER 223K-B1E -CP
C602	08S45677W36	CAP,CER.101J-CH1H-CP
C603	08S45676W65	CAP,CER.222K-B1H -CP
C604	08S45676W85	CAP,CER 104K-B1C -CP
C801	08S65128F78	CAP,CER.223K-B1H -CP
C802	08S53332F51	CAP,CP .223-K-B -CP
C803	08S45676W80	CAP,CER 223K-B1E -CP
C804	08S45676W80	CAP,CER 223K-B1E -CP
C805	08S45676W80	CAP,CER 223K-B1E -CP
C807	08S45676W80	CAP,CER 223K-B1E -CP
C808	08S45676W80	CAP,CER 223K-B1E -CP
C809	08S45676W80	CAP,CER 223K-B1E -CP
C810	08S65128F88	CAP,CER 104K-B1H -CP
C811	08S45676W85	CAP,CER 104K-B1C -CP
C812	08T55390W34	CAP,TF 274J-1H -R5
C813	08S60102F40	CAP,CER 224K-B1E -CP
C814	08S45676W85	CAP,CER 104K-B1C -CP
C815	08S45676W89	CAP,CER 473K-B1E -CP
C817	08S65676Y05	CAP,CER 105KX7R1E-CP
C818	08S45539Y04	CAP,CER 103KX7R2J-CP
C819	08S45539Y04	CAP,CER 103KX7R2J-CP
C820	08S45539Y04	CAP,CER 103KX7R2J-CP
C821	08S35374W01	CAP,CER 104K-B1E-CP
C822	08S65128F78	CAP,CER.223K-B1H -CP
C831	08S45676W80	CAP,CER 223K-B1E -CP
C832	08S45676W80	CAP,CER 223K-B1E -CP
C833	08S45676W80	CAP,CER 223K-B1E -CP
C836	08S45676W80	CAP,CER 223K-B1E -CP
C840	08S65674Y05	CAP,CER 105KX5R1C-CP
C841	08S45676W80	CAP,CER 223K-B1E -CP
C842	08S65676Y05	CAP,CER 105KX7R1E-CP
C843	08S65674Y05	CAP,CER 105KX5R1C-CP
CB002	09T03497K32	BTB,52465-3291 -E9
CB200	09T03498K08	WTB,53253-0810 -DB
CB201	09T03498K03	WTB,53253-0310 -DB
CB350	09T03498K09	WTB,53253-0910 -DB
CB501	09T03498K02	WTB,53253-0210 -DB
CB511	09T03492K15	FFC,52271-1590 -ED
CB802	09T03498K02	WTB,53253-0210 -DB
CB831	09T03498K02	WTB,53253-0210 -DB
CH101	09T25261Y22	FFC,SFW22R-1STE1 -EQ
CH202	01T01877K05	ASSY,CONN RCA 9835A

CDA-9835R

D001	48T85357W01	DIO,1PS226	-CP
D003	48T25665Y01	DIO,1SS355-TE17	-CP
D004	48T25665Y01	DIO,1SS355-TE17	-CP
D101	48T45701Y01	DIO,MA2S728-TX	-CP
D102	48T45701Y01	DIO,MA2S728-TX	-CP
D103	48T45701Y01	DIO,MA2S728-TX	-CP
D104	48T45701Y01	DIO,MA2S728-TX	-CP
D301	48T95572W01	DIO,SHT MA736-TX	-E1
D302	48T95572W01	DIO,SHT MA736-TX	-E1
D311	48T25651W01	DIO,CP MA152WA	
D312	48T25651W01	DIO,CP MA152WA	
D313	48T25651W01	DIO,CP MA152WA	
D330	48T85357W01	DIO,1PS226	-CP
D331	48T85357W01	DIO,1PS226	-CP
D501	48T45701Y01	DIO,MA2S728-TX	-CP
D503	48T25665Y01	DIO,1SS355-TE17	-CP
D506	48T25665Y01	DIO,1SS355-TE17	-CP
D510	48T68828F11	DIO,1SS133 -RH	
D513	48T25651W01	DIO,CP MA152WA	
D514	48T25651W02	DIO,MA152WK-TX	-CP
D601	48T25651W02	DIO,MA152WK-TX	-CP
D802	48T25593Y01	DIO,S1G-6904	-E1
D805	48T25593Y01	DIO,S1G-6904	-E1
D811	48T25665Y01	DIO,1SS355-TE17	-CP
D831	48T81063F01	DIO,CP.MA159 / TX	-CP
D854	48T25651W02	DIO,MA152WK-TX	-CP
D855	48T25593Y01	DIO,S1G-6904	-E1
D860	48T68828F11	DIO,1SS133 -RH	
E001	23S45639Y07	CAP,ELY 10R-1C	-R2
E003	23S45639Y08	CAP,ELY 22R-1C	-R2
E004	23S45639Y05	CAP,ELY 101-1A	-R2
E006	23S45639Y08	CAP,ELY 22R-1C	-R2
E008	23S45639Y06	CAP,ELY 221-1A	-R2
E101	23T55378W01	CAP,KMG.221-1A	-R2
E102	23S75372W03	CAP,ELY 221-1A	-H2
E105	23S65134W80	CAP,ELY 10R-1C(3)-E2	
E106	23S75372W02	CAP,ELY 101-1A	-R2
E201	23S65134W80	CAP,ELY 10R-1C(3)-E2	
E202	23S65134W80	CAP,ELY 10R-1C(3)-E2	
E204	23S55039Y01	CAP,ELY 221-0J	-R2
E205	23S65134W41	CAP,ELY 4R7-1E(3)-E2	
E216	23S45639Y24	CAP,ELY 3R3-1H	-R2
E221	23S45639Y24	CAP,ELY 3R3-1H	-R2
E229	23S65134W11	CAP,ELY 22R-0J(4)-E2	
E230	23S45639Y06	CAP,ELY 221-1A	-R2
E233	23S45639Y06	CAP,ELY 221-1A	-R2
E304	23T25139Y10	CAP,PW 331-1C	+
E305	23S65134W70	CAP,ELY 1R0-1H(4)-E2	
E306	23T75479W38	CAP,VZ 102-1E	-H5
E309	23T95564W41	CAP,FC 471-1C-G	-EA
E310	23T75346W04	CAP,X-PRO 252-1D	+
E312	23S82372F08	CAP,ELY.10R-1C-BP	-R2
E313	23S82372F08	CAP,ELY.10R-1C-BP	-R2
E314	23S45639Y22	CAP,ELY 1R0-1H	-R2
E315	23S45639Y07	CAP,ELY 10R-1C	-R2
E324	23S95415W18	CAP,ELY 2R2-1H	-R2
E325	23S45639Y07	CAP,ELY 10R-1C	-R2

CDA-9835R

E330	23S45639Y07	CAP,ELY 10R-1C -R2
E331	23S65134W31	CAP,ELY 10R-1C(4)-E2
E332	23S65134W31	CAP,ELY 10R-1C(4)-E2
E333	23S65134W31	CAP,ELY 10R-1C(4)-E2
E334	23S65134W31	CAP,ELY 10R-1C(4)-E2
E501	23S55039Y01	CAP,ELY 221-0J -R2
E503	23T95564W09	CAP,FC 22R-1C-C -E3
E504	23T95564W09	CAP,FC 22R-1C-C -E3
E506	23S45639Y08	CAP,ELY 22R-1C -R2
E801	23T75346W03	CAP,X-PRO 332-1C +
E802	23S45639Y09	CAP,ELY 47R-1C -R2
E803	23S95415W07	CAP,ELY 221-1C -R2
E804	23S45639Y09	CAP,ELY 47R-1C -R2
E805	23T55378W03	CAP,KMG 471-1A -R2
E807	23S95415W06	CAP,ELY 101-1C -R2
E808	23T25139Y10	CAP,PW 331-1C +
E809	23S95415W07	CAP,ELY 221-1C -R2
E822	23T95564W09	CAP,FC 22R-1C-C -E3
E823	23T95564W09	CAP,FC 22R-1C-C -E3
E832	23S45639Y09	CAP,ELY 47R-1C -R2
E880	23S45639Y09	CAP,ELY 47R-1C -R2
F801	65T75477Y13	FUSE,CCP2E 4.0A -CP
IC001	51T75213Y02	IC,D784216AGC-226-QT
IC002	51T15132Y02	SAA6588T -SE9
IC003	51T15731W10	TC7S66F-TE85L -CP
IC101	51T15362Y01	TC74HCT7007AFTP2-SE6
IC102	51T55517Y02	NJU7223DL1-33TE1-NE5
IC201	51T55517Y02	NJU7223DL1-33TE1-NE5
IC202	51T93340F02	NJM2060V-TE2 -SE2
IC204	51T15420Y01	BA4560F-E2 -SE2
IC205	51T15420Y01	BA4560F-E2 -SE2
IC208	51T35562Y03	CXD2729Q-3 -QT
IC301	51T93340F02	NJM2060V-TE2 -SE2
IC302	51T65184Y01	TB2901H -ZS
IC303	51T15426Y02	STK475-010 -IB
IC304	51T15185Y01	TC7SH08FU-TE85L -CP
IC305	51T15185Y01	TC7SH08FU-TE85L -CP
IC306	51T55166Y01	NJM2100V-TE2 -SE2
IC332	51T15647Y01	NJM4558V-TE2 -SE2
IC350	51T65212Y01	BA8275F-E2 -SE2
IC500	51T25045Y03	AN7705SP-TX -NE5
IC501	51T65441Y01	MTP,M30626FHPGPXXXQT
IC502	51T65778Y01	BR24L02F-W-E2 -SE2
IC504	51T25422Y02	TC7W04FK-TE85L -CP
IC505	51T93332F01	IC,NJM2903M-TE3 -SE2
IC601	51T93532F05	TC4S01F-TE85L -CP
IC801	51T45336Y01	L5952 -ZS
IC802	51T75063Y11	BD5233G-TR -CP
IC831	51T25448Y01	BA6219BFP-Y-E2 -SE9
L001	24T25164Y21	IND,FSLM2520 4R7J-CP
L002	24T35286Y01	IND,MG56 523J -DB
L003	24T45464Y02	FBI,BLM18HG471SN1-CP
L004	24T45464Y02	FBI,BLM18HG471SN1-CP
L005	24T16403W29	COI,IND.15R-M -CP
L006	24T35401Y18	IND,HK1608 R027J -CP
L007	24T35401Y20	IND,HK1608 R039J -CP
L101	24T16271W13	COIL,RCR875D-221K

L201	06S55364Y39	RES,RK JUMPER 1/8-CP
L202	91T65112W06	EMI,BK2125HM102 -CP
L203	91T65112W06	EMI,BK2125HM102 -CP
L204	91T65112W06	EMI,BK2125HM102 -CP
L501	24T95457W18	FBI,BLM21PG221SH1-CP
L502	91T65112W06	EMI,BK2125HM102 -CP
LD601	48T65477W05	LED,SML-010DTT87 -CP
LD602	48T65477W05	LED,SML-010DTT87 -CP
PS801	48T95226W01	TMT,PTGL05BA1R8M1-R5
Q001	48T52437F05	TR ,2SB709A-S /TX-CP
Q002	48T64221F13	TR,UN211H-TX -CP
Q005	48T45594W16	TR,XN1A311-TX -CP
Q006	48T64222F01	TR ,UN2211 10-10 -TX
Q008	48T64222F02	TR ,UN2212 22-22 -TX
Q101	48T45594W12	TR ,XN1A312 -TX-CP
Q102	48T64222F11	TR,UN221F-TX -CP
Q103	48T84366F04	TR,2SB1243-QR-TV2-RD
Q104	48T45594W16	TR,XN1A311-TX -CP
Q304	48T64222F01	TR ,UN2211 10-10 -TX
Q311	48T25317Y01	TR,XN0F256-TX -CP
Q312	48T25317Y01	TR,XN0F256-TX -CP
Q313	48T25317Y01	TR,XN0F256-TX -CP
Q350	48T65619Y01	FET,HN1K06FU-85L -CP
Q501	48T45594W12	TR ,XN1A312 -TX-CP
Q502	48T93828F04	TR,2SD1994A-S-TA -RD
Q503	48T93828F04	TR,2SD1994A-S-TA -RD
Q505	48T52437F01	TR ,2SB709A-QR/TX-CP
Q506	48T64221F02	TR ,UN2112 22-22 -TX
Q507	48T52438F01	TR ,2SD601A-RS/TX-CP
Q601	48T64222F01	TR ,UN2211 10-10 -TX
Q602	48T52437F05	TR ,2SB709A-S /TX-CP
Q603	48T64222F02	TR ,UN2212 22-22 -TX
Q606	48T64222F01	TR ,UN2211 10-10 -TX
Q803	48T84366F04	TR,2SB1243-QR-TV2-RD
Q804	48T64222F11	TR,UN221F-TX -CP
Q807	48T93828F04	TR,2SD1994A-S-TA -RD
Q808	48T93828F04	TR,2SD1994A-S-TA -RD
Q809	48T45594W12	TR ,XN1A312 -TX-CP
Q812	48T73023F01	TR ,2SD874A -E2
Q813	48T45594W12	TR ,XN1A312 -TX-CP
Q815	48T45594W16	TR,XN1A311-TX -CP
Q817	48T45594W12	TR ,XN1A312 -TX-CP
Q821	48T45594W12	TR ,XN1A312 -TX-CP
Q825	48T45594W12	TR ,XN1A312 -TX-CP
Q826	48T92368F04	TR,2SD1760 R -E5
Q841	48T64221F11	TR,UN211L-TX -CP
Q844	48T64222F02	TR ,UN2212 22-22 -TX
Q872	48T45594W12	TR ,XN1A312 -TX-CP
Q880	48T93828F04	TR,2SD1994A-S-TA -RD
Q881	48T45594W16	TR,XN1A311-TX -CP
Q894	48T64222F02	TR ,UN2212 22-22 -TX
R001	06S70072F05	RES,CP .10R-J-1/4-CP
R002	06S55366Y06	RES,RK 473J 1/10 -CP
R003	06S55365Y77	RES,RK 332J 1/10 -CP
R004	06S55361Y69	RES,RK 152J 1/4 -CP
R005	06S55361Y49	RES,RK 221J 1/4 -CP
R008	06S55365Y41	RES,RK 101J 1/10 -CP

R009	06S55365Y41	RES,RK 101J 1/10 -CP
R010	06S55366Y14	RES,RK 104J 1/10 -CP
R011	06S55366Y30	RES,RK 474J 1/10 -CP
R012	06S55366Y02	RES,RK 333J 1/10 -CP
R013	06S55365Y98	RES,RK 243J 1/10 -CP
R014	06S55366Y39	RES,RK JUMPER1/10-CP
R015	06S55365Y89	RES,RK 103J 1/10 -CP
R016	06S55365Y89	RES,RK 103J 1/10 -CP
R017	06S55365Y65	RES,RK 102J 1/10 -CP
R018	06S55365Y65	RES,RK 102J 1/10 -CP
R019	06S55365Y51	RES,RK 271J 1/10 -CP
R020	06S55365Y51	RES,RK 271J 1/10 -CP
R021	06S55365Y81	RES,RK 472J 1/10 -CP
R022	06S55366Y30	RES,RK 474J 1/10 -CP
R023	06S55366Y06	RES,RK 473J 1/10 -CP
R024	06S55366Y06	RES,RK 473J 1/10 -CP
R027	06S55365Y89	RES,RK 103J 1/10 -CP
R028	06S55365Y89	RES,RK 103J 1/10 -CP
R029	06S55366Y39	RES,RK JUMPER1/10-CP
R030	06S55366Y06	RES,RK 473J 1/10 -CP
R031	06S55365Y65	RES,RK 102J 1/10 -CP
R032	06S55365Y65	RES,RK 102J 1/10 -CP
R033	06S55365Y65	RES,RK 102J 1/10 -CP
R035	06S55365Y89	RES,RK 103J 1/10 -CP
R036	06S55366Y06	RES,RK 473J 1/10 -CP
R037	06S55365Y65	RES,RK 102J 1/10 -CP
R038	06S55365Y89	RES,RK 103J 1/10 -CP
R039	06S55365Y65	RES,RK 102J 1/10 -CP
R042	06S55366Y14	RES,RK 104J 1/10 -CP
R043	06S55365Y65	RES,RK 102J 1/10 -CP
R044	06S55365Y65	RES,RK 102J 1/10 -CP
R045	06S55365Y65	RES,RK 102J 1/10 -CP
R046	06S55365Y81	RES,RK 472J 1/10 -CP
R101	06S55365Y89	RES,RK 103J 1/10 -CP
R102	06S55366Y06	RES,RK 473J 1/10 -CP
R103	06S55366Y02	RES,RK 333J 1/10 -CP
R104	06S55366Y06	RES,RK 473J 1/10 -CP
R106	06S55365Y89	RES,RK 103J 1/10 -CP
R107	06S55365Y51	RES,RK 271J 1/10 -CP
R110	06S55366Y39	RES,RK JUMPER1/10-CP
R111	06S55366Y39	RES,RK JUMPER1/10-CP
R112	06S55366Y39	RES,RK JUMPER1/10-CP
R113	06S55366Y06	RES,RK 473J 1/10 -CP
R114	06S55366Y06	RES,RK 473J 1/10 -CP
R115	06S55366Y06	RES,RK 473J 1/10 -CP
R202	06S55365Y73	RES,RK 222J 1/10 -CP
R203	06S55365Y73	RES,RK 222J 1/10 -CP
R208	06S55365Y66	RES,RK 112J 1/10 -CP
R210	06S55365Y97	RES,RK 223J 1/10 -CP
R211	06S55365Y89	RES,RK 103J 1/10 -CP
R212	06S55365Y67	RES,RK 122J 1/10 -CP
R213	06S55365Y65	RES,RK 102J 1/10 -CP
R214	06S55365Y98	RES,RK 243J 1/10 -CP
R215	06S55365Y69	RES,RK 152J 1/10 -CP
R216	06S55365Y75	RES,RK 272J 1/10 -CP
R217	06S55365Y67	RES,RK 122J 1/10 -CP
R218	06S55365Y66	RES,RK 112J 1/10 -CP

R219	06S55365Y69	RES,RK 152J 1/10 -CP
R220	06S55365Y75	RES,RK 272J 1/10 -CP
R222	06S55365Y97	RES,RK 223J 1/10 -CP
R223	06S55365Y67	RES,RK 122J 1/10 -CP
R224	06S55365Y69	RES,RK 152J 1/10 -CP
R225	06S55365Y75	RES,RK 272J 1/10 -CP
R226	06S55365Y93	RES,RK 153J 1/10 -CP
R227	06S55366Y14	RES,RK 104J 1/10 -CP
R228	06S55365Y92	RES,RK 133J 1/10 -CP
R229	06S55366Y12	RES,RK 823J 1/10 -CP
R230	06S55366Y12	RES,RK 823J 1/10 -CP
R231	06S55365Y93	RES,RK 153J 1/10 -CP
R232	06S55366Y14	RES,RK 104J 1/10 -CP
R236	06S55365Y92	RES,RK 133J 1/10 -CP
R238	06S55366Y41	RES,RK 155J 1/10 -CP
R239	06S55365Y67	RES,RK 122J 1/10 -CP
R240	06S55365Y69	RES,RK 152J 1/10 -CP
R241	06S55365Y75	RES,RK 272J 1/10 -CP
R242	06S55365Y98	RES,RK 243J 1/10 -CP
R243	06S55365Y97	RES,RK 223J 1/10 -CP
R244	06S55365Y69	RES,RK 152J 1/10 -CP
R245	06S55365Y97	RES,RK 223J 1/10 -CP
R246	06S55366Y41	RES,RK 155J 1/10 -CP
R248	06S55365Y67	RES,RK 122J 1/10 -CP
R249	06S55365Y69	RES,RK 152J 1/10 -CP
R250	06S55365Y75	RES,RK 272J 1/10 -CP
R251	06S55365Y92	RES,RK 133J 1/10 -CP
R254	06S55366Y12	RES,RK 823J 1/10 -CP
R255	06S55366Y12	RES,RK 823J 1/10 -CP
R256	06S55365Y92	RES,RK 133J 1/10 -CP
R259	06S55366Y28	RES,RK 394J 1/10 -CP
R260	06S55365Y67	RES,RK 122J 1/10 -CP
R261	06S55365Y69	RES,RK 152J 1/10 -CP
R262	06S55365Y75	RES,RK 272J 1/10 -CP
R263	06S55365Y97	RES,RK 223J 1/10 -CP
R266	06S55366Y33	RES,RK 624J 1/10 -CP
R267	06S55366Y39	RES,RK JUMPER1/10-CP
R301	06S55366Y39	RES,RK JUMPER1/10-CP
R302	06S55365Y65	RES,RK 102J 1/10 -CP
R303	06S55365Y67	RES,RK 122J 1/10 -CP
R304	06S55365Y69	RES,RK 152J 1/10 -CP
R305	06S55365Y69	RES,RK 152J 1/10 -CP
R306	06S55365Y67	RES,RK 122J 1/10 -CP
R307	06S55366Y06	RES,RK 473J 1/10 -CP
R308	06S55365Y67	RES,RK 122J 1/10 -CP
R310	06S55366Y12	RES,RK 823J 1/10 -CP
R311	06S55366Y12	RES,RK 823J 1/10 -CP
R312	06S55365Y75	RES,RK 272J 1/10 -CP
R313	06S55365Y75	RES,RK 272J 1/10 -CP
R314	06S55365Y97	RES,RK 223J 1/10 -CP
R315	06S55365Y97	RES,RK 223J 1/10 -CP
R316	06S55365Y99	RES,RK 273J 1/10 -CP
R317	06S55365Y99	RES,RK 273J 1/10 -CP
R318	06S55366Y12	RES,RK 823J 1/10 -CP
R319	06S55366Y12	RES,RK 823J 1/10 -CP
R320	06S55365Y67	RES,RK 122J 1/10 -CP
R321	06S55365Y67	RES,RK 122J 1/10 -CP

R322	06S55365Y97	RES,RK 223J 1/10 -CP
R323	06S55365Y97	RES,RK 223J 1/10 -CP
R324	06S55365Y99	RES,RK 273J 1/10 -CP
R325	06S55365Y99	RES,RK 273J 1/10 -CP
R326	06S55366Y14	RES,RK 104J 1/10 -CP
R327	06S55366Y14	RES,RK 104J 1/10 -CP
R328	06S55365Y69	RES,RK 152J 1/10 -CP
R329	06S55365Y69	RES,RK 152J 1/10 -CP
R330	06S55365Y97	RES,RK 223J 1/10 -CP
R331	06S55365Y97	RES,RK 223J 1/10 -CP
R332	06S55365Y99	RES,RK 273J 1/10 -CP
R333	06S55365Y99	RES,RK 273J 1/10 -CP
R334	06S55365Y89	RES,RK 103J 1/10 -CP
R335	06S55365Y65	RES,RK 102J 1/10 -CP
R336	06S55365Y65	RES,RK 102J 1/10 -CP
R337	06S55365Y86	RES,RK 752J 1/10 -CP
R338	06S55365Y49	RES,RK 221J 1/10 -CP
R341	06S55365Y78	RES,RK 362J 1/10 -CP
R342	06S55362Y11	RES,RK 753J 1/4 -CP
R343	06S55365Y75	RES,RK 272J 1/10 -CP
R344	06S55365Y75	RES,RK 272J 1/10 -CP
R345	06S55365Y87	RES,RK 822J 1/10 -CP
R346	06S55365Y89	RES,RK 103J 1/10 -CP
R347	06S55365Y65	RES,RK 102J 1/10 -CP
R348	06S55365Y87	RES,RK 822J 1/10 -CP
R349	06S55365Y80	RES,RK 432J 1/10 -CP
R350	06S55365Y80	RES,RK 432J 1/10 -CP
R351	06S55366Y08	RES,RK 563J 1/10 -CP
R352	06S55366Y08	RES,RK 563J 1/10 -CP
R353	06S55363Y49	RES,RK 221J 1/8 -CP
R354	06S55363Y49	RES,RK 221J 1/8 -CP
R355	06S55363Y41	RES,RK 101J 1/8 -CP
R356	06S55363Y41	RES,RK 101J 1/8 -CP
R359	06S55361Y57	RES,RK 471J 1/4 -CP
R360	06S55361Y57	RES,RK 471J 1/4 -CP
R361	06S55366Y08	RES,RK 563J 1/10 -CP
R362	06S55366Y08	RES,RK 563J 1/10 -CP
R363	06S55363Y49	RES,RK 221J 1/8 -CP
R364	06S55363Y49	RES,RK 221J 1/8 -CP
R365	06S55363Y41	RES,RK 101J 1/8 -CP
R366	06S55363Y41	RES,RK 101J 1/8 -CP
R367	06S55365Y81	RES,RK 472J 1/10 -CP
R368	06S55365Y81	RES,RK 472J 1/10 -CP
R369	06S55365Y65	RES,RK 102J 1/10 -CP
R370	06S55365Y65	RES,RK 102J 1/10 -CP
R371	06S55366Y08	RES,RK 563J 1/10 -CP
R372	06S55366Y08	RES,RK 563J 1/10 -CP
R373	06S55363Y49	RES,RK 221J 1/8 -CP
R374	06S55363Y49	RES,RK 221J 1/8 -CP
R375	06S55363Y41	RES,RK 101J 1/8 -CP
R376	06S55363Y41	RES,RK 101J 1/8 -CP
R377	06S55365Y78	RES,RK 362J 1/10 -CP
R378	06S55365Y65	RES,RK 102J 1/10 -CP
R379	06S55365Y65	RES,RK 102J 1/10 -CP
R501	06S55363Y65	RES,RK 102J 1/8 -CP
R502	06S55363Y65	RES,RK 102J 1/8 -CP
R503	06S55363Y65	RES,RK 102J 1/8 -CP

R504	06S55363Y65	RES,RK 102J 1/8 -CP
R505	06S55363Y65	RES,RK 102J 1/8 -CP
R506	06S55363Y65	RES,RK 102J 1/8 -CP
R507	06S55363Y65	RES,RK 102J 1/8 -CP
R508	06S55365Y97	RES,RK 223J 1/10 -CP
R509	06S55365Y97	RES,RK 223J 1/10 -CP
R510	06S55365Y81	RES,RK 472J 1/10 -CP
R512	06S55365Y89	RES,RK 103J 1/10 -CP
R513	06S55363Y89	RES,RK 103J 1/8 -CP
R514	06S55365Y81	RES,RK 472J 1/10 -CP
R515	06S55365Y67	RES,RK 122J 1/10 -CP
R516	06S55361Y17	RES,RK 10RJ 1/4 -CP
R517	06S55365Y89	RES,RK 103J 1/10 -CP
R518	06S55361Y31	RES,RK 39RJ 1/4 -CP
R519	06S55361Y31	RES,RK 39RJ 1/4 -CP
R520	06S55365Y73	RES,RK 222J 1/10 -CP
R521	06S55365Y69	RES,RK 152J 1/10 -CP
R522	06S55365Y85	RES,RK 682J 1/10 -CP
R523	06S55366Y06	RES,RK 473J 1/10 -CP
R524	06S55366Y06	RES,RK 473J 1/10 -CP
R525	06S55365Y97	RES,RK 223J 1/10 -CP
R526	06S55361Y31	RES,RK 39RJ 1/4 -CP
R527	06S55366Y30	RES,RK 474J 1/10 -CP
R529	06S55365Y77	RES,RK 332J 1/10 -CP
R530	06S55365Y53	RES,RK 331J 1/10 -CP
R531	06S55366Y06	RES,RK 473J 1/10 -CP
R532	06S55365Y53	RES,RK 331J 1/10 -CP
R533	06S55363Y75	RES,RK 272J 1/8 -CP
R534	06S55366Y39	RES,RK JUMPER1/10-CP
R535	06S55366Y39	RES,RK JUMPER1/10-CP
R536	06S55365Y41	RES,RK 101J 1/10 -CP
R537	06S55361Y01	RES,RK 2R2J 1/4 -CP
R538	06S55361Y01	RES,RK 2R2J 1/4 -CP
R540	06S55361Y59	RES,RK 561J 1/4 -CP
R541	06S55365Y41	RES,RK 101J 1/10 -CP
R543	06S15593Y77	RES,RK 153F 1/10 -CP
R545	06S55365Y59	RES,RK 561J 1/10 -CP
R546	06S55365Y59	RES,RK 561J 1/10 -CP
R547	06S55365Y59	RES,RK 561J 1/10 -CP
R550	06S55366Y39	RES,RK JUMPER1/10-CP
R552	06S55366Y39	RES,RK JUMPER1/10-CP
R553	06S55365Y65	RES,RK 102J 1/10 -CP
R554	06S55365Y89	RES,RK 103J 1/10 -CP
R559	06S55365Y89	RES,RK 103J 1/10 -CP
R560	06S55365Y97	RES,RK 223J 1/10 -CP
R562	06S55365Y65	RES,RK 102J 1/10 -CP
R563	06S55365Y59	RES,RK 561J 1/10 -CP
R564	06S55365Y59	RES,RK 561J 1/10 -CP
R565	06S55365Y57	RES,RK 471J 1/10 -CP
R566	06S55365Y57	RES,RK 471J 1/10 -CP
R567	06S55365Y97	RES,RK 223J 1/10 -CP
R568	06S55365Y97	RES,RK 223J 1/10 -CP
R574	06S55365Y89	RES,RK 103J 1/10 -CP
R593	06S55366Y39	RES,RK JUMPER1/10-CP
R594	06S55365Y97	RES,RK 223J 1/10 -CP
R595	06S55361Y49	RES,RK 221J 1/4 -CP
R596	06S55365Y53	RES,RK 331J 1/10 -CP

R597	06S55365Y53	RES,RK 331J 1/10 -CP
R598	06S55361Y31	RES,RK 39RJ 1/4 -CP
R599	06S55365Y85	RES,RK 682J 1/10 -CP
R600	06S55365Y89	RES,RK 103J 1/10 -CP
R601	06S55365Y89	RES,RK 103J 1/10 -CP
R602	06S55361Y56	RES,RK 431J 1/4 -CP
R603	06S55365Y69	RES,RK 152J 1/10 -CP
R604	06S55365Y73	RES,RK 222J 1/10 -CP
R605	06S55361Y65	RES,RK 102J 1/4 -CP
R606	06S55363Y89	RES,RK 103J 1/8 -CP
R611	06S55366Y06	RES,RK 473J 1/10 -CP
R612	06S55366Y06	RES,RK 473J 1/10 -CP
R615	06S55365Y83	RES,RK 562J 1/10 -CP
R616	06S55365Y83	RES,RK 562J 1/10 -CP
R618	06S55365Y65	RES,RK 102J 1/10 -CP
R619	06S55365Y65	RES,RK 102J 1/10 -CP
R621	06S55365Y97	RES,RK 223J 1/10 -CP
R622	06S55366Y30	RES,RK 474J 1/10 -CP
R623	06S55365Y97	RES,RK 223J 1/10 -CP
R624	06S55365Y77	RES,RK 332J 1/10 -CP
R625	06S55365Y73	RES,RK 222J 1/10 -CP
R626	06S55361Y41	RES,RK 101J 1/4 -CP
R802	06S55362Y39	RES,RK JUMPER 1/4-CP
R803	06S55361Y89	RES,RK 103J 1/4 -CP
R806	06S55364Y39	RES,RK JUMPER 1/8-CP
R807	06S55361Y01	RES,RK 2R2J 1/4 -CP
R808	06S15593Y63	RES,RK 392F 1/10 -CP
R809	06S15593Y83	RES,RK 273F 1/10 -CP
R810	06S55361Y81	RES,RK 472J 1/4 -CP
R812	06S55361Y81	RES,RK 472J 1/4 -CP
R814	06S55365Y01	RES,RK 2R2J 1/10 -CP
R815	06S55365Y01	RES,RK 2R2J 1/10 -CP
R816	06S55361Y55	RES,RK 391J 1/4 -CP
R817	06S55361Y41	RES,RK 101J 1/4 -CP
R820	06S55361Y01	RES,RK 2R2J 1/4 -CP
R821	06S55366Y06	RES,RK 473J 1/10 -CP
R823	06S55361Y56	RES,RK 431J 1/4 -CP
R824	06S55366Y29	RES,RK 434J 1/10 -CP
R826	06S55365Y01	RES,RK 2R2J 1/10 -CP
R827	06S55361Y60	RES,RK 621J 1/4 -CP
R828	06S55361Y98	RES,RK 243J 1/4 -CP
R829	06S55366Y06	RES,RK 473J 1/10 -CP
R830	06S55361Y71	RES,RK 182J 1/4 -CP
R831	06S55361Y71	RES,RK 182J 1/4 -CP
R834	06S55361Y29	RES,RK 33RJ 1/4 -CP
R835	06S55361Y29	RES,RK 33RJ 1/4 -CP
R836	06S55361Y29	RES,RK 33RJ 1/4 -CP
R837	06S55361Y29	RES,RK 33RJ 1/4 -CP
R838	06S55361Y29	RES,RK 33RJ 1/4 -CP
R839	06S55361Y29	RES,RK 33RJ 1/4 -CP
R840	06S55365Y97	RES,RK 223J 1/10 -CP
R841	06S55366Y06	RES,RK 473J 1/10 -CP
R842	06S55361Y89	RES,RK 103J 1/4 -CP
R843	06S55365Y97	RES,RK 223J 1/10 -CP
R846	06S55365Y97	RES,RK 223J 1/10 -CP
R849	06S55365Y97	RES,RK 223J 1/10 -CP
R850	06S45348Y31	RES,RK 224F 1/4 -CP

R851	06S15593Y87	RES,RK 393F 1/10 -CP
R852	06S55365Y41	RES,RK 101J 1/10 -CP
R853	06S55365Y41	RES,RK 101J 1/10 -CP
R868	06S55361Y51	RES,RK 271J 1/4 -CP
R869	06S55361Y51	RES,RK 271J 1/4 -CP
R875	06S55365Y89	RES,RK 103J 1/10 -CP
R881	06S55361Y60	RES,RK 621J 1/4 -CP
R890	06S55361Y89	RES,RK 103J 1/4 -CP
R899	06S55365Y89	RES,RK 103J 1/10 -CP
RA001	06S45591W16	RES,ARY MNR223J 4-CP
RA002	06S45591W07	RES,ARY MNR101J 4-CP
RA201	06S45591W06	RES,ARY MNR102J 4-CP
RA502	06S45591W06	RES,ARY MNR102J 4-CP
SA001	48T81048F02	PTT,DSP-201M -RD
SW201	40T45282W02	SW,SLIDE SLD-42-508X (Ai-NET(EQ/DIV)/NORM)
SW501	40T45557Y01	SW,SLIDE SSAC120100 (X-OVER(F/R/Sub-W)/3WAY)
TH501	48T25250Y01	TMT,ERTJ1VV104J -CP
XL001	91T25806W18	XTL,4.332M -AT51-TP
XL002	91T55217Y03	XTL,NX8045GB 12.2-E5
XL201	91T55217Y06	XTL,NX8045GB 22.5-E5
XL502	91T55360Y06	XTL,6M-AT51-TP
Z001	91T45556Y06	EMI,NFM21HC102R1H-CP
Z003	91T15509Y08	EMI,BK1608HM102 -CP
Z201	91T75463W06	EMI,NFM41R11C102T-E1
Z202	91T75463W06	EMI,NFM41R11C102T-E1
Z301	91T45556Y06	EMI,NFM21HC102R1H-CP
Z302	91T45556Y06	EMI,NFM21HC102R1H-CP
Z501	24T35072W01	FBI,BL01RN1A1E1A -A1
ZD501	48T25766W24	DIO,ZEN.HZS 9C1L -R5
ZD800	48T25064Y02	DIO,ZEN ZSH5MA27A-ED
ZD801	48T62934F70	DIO,ZEN RD10MB3 -CP
ZD802	48T25766W39	DIO,ZEN.HZS12B1L -R5
ZD803	48T62934F14	DIO,ZEN.RD4.3MB3 -CP
ZD804	48T62934F29	DIO,ZEN.RD6.8MB3 -CP
ZD821	48T25766W38	DIO,ZEN.HZS12A3L -R5
ZD822	48T25766W24	DIO,ZEN.HZS 9C1L -R5

=====FRONT P.W.Board

C4001	08S65128F78	CAP,CER.223K-B1H -CP
C4002	08S65667Y05	CAP,CER 105KX5R1A-CP
C4003	08S35349Y08	CAP,CER 102K-B1H -CP
C4004	08S65128F57	CAP,CER.102K-B1H -CP
C4005	08S65128F57	CAP,CER.102K-B1H -CP
C4006	08S35374W01	CAP,CER 104K-B1E-CP
C4007	08S35374W12	CAP,CER 106K-B0J -CP
C4008	08S35374W01	CAP,CER 104K-B1E-CP
C4009	08S35374W01	CAP,CER 104K-B1E-CP
C4010	08S35374W01	CAP,CER 104K-B1E-CP
C4011	08S35374W01	CAP,CER 104K-B1E-CP
C4012	08S35374W01	CAP,CER 104K-B1E-CP
C4013	08S45677W12	CAP,CER.10RD-CH1H-CP
C4014	08S45677W12	CAP,CER.10RD-CH1H-CP
C4015	08S35374W01	CAP,CER 104K-B1E-CP
C4016	08S65676Y05	CAP,CER 105KX7R1E-CP
C4017	08S35374W12	CAP,CER 106K-B0J -CP

C4018	08S35374W12	CAP,CER 106K-B0J -CP
C4019	08S65128F78	CAP,CER.223K-B1H -CP
C4020	08S35374W01	CAP,CER 104K-B1E-CP
C4021	08S35374W12	CAP,CER 106K-B0J -CP
C4022	08S35374W01	CAP,CER 104K-B1E-CP
C4023	08S35374W12	CAP,CER 106K-B0J -CP
C4024	08S35374W01	CAP,CER 104K-B1E-CP
C4025	08S35374W01	CAP,CER 104K-B1E-CP
C4026	08S35374W01	CAP,CER 104K-B1E-CP
C4027	08S65128F78	CAP,CER.223K-B1H -CP
C4028	08S35374W12	CAP,CER 106K-B0J -CP
C4029	08S35374W01	CAP,CER 104K-B1E-CP
C4030	08S35374W01	CAP,CER 104K-B1E-CP
C4031	08S35374W12	CAP,CER 106K-B0J -CP
C4032	08S45677W36	CAP,CER.101J-CH1H-CP
C4033	08S35374W01	CAP,CER 104K-B1E-CP
CB4001	09T45391Y30	FFC,IMSA9632S-30Y-ED
CH4001	09T03493K15	BTB,55323-1511 -B
D4001	48T85357W01	DIO,1PS226 -CP
D4002	48T85357W01	DIO,1PS226 -CP
D4003	48T85357W01	DIO,1PS226 -CP
D4004	48T85357W01	DIO,1PS226 -CP
D4005	48T85357W01	DIO,1PS226 -CP
D4011	48T85357W01	DIO,1PS226 -CP
IC4001	51T75189Y01	NJU6060V-TE1 -SE2
IC4002	51T55628Y01	RS-671 -NE2
IC4003	51T65395Y01	MTP,D70F3030BGCXXXQT
IC4004	51T75326Y02	M29F032D70N6-A -ST
IC4005	51T75326Y03	M29F032D70N6-B -ST
IC4006	51T55407Y01	TC7WZ00FK-TE85L -CP
IC4007	51T25189Y01	S-81233SGUP-T1 -NE2
IC4008	51T65494Y01	M66710FP -QT
IC4009	51T25422Y02	TC7W04FK-TE85L -CP
L4001	24T95457W18	FBI,BLM21PG221SH1-CP
L4002	24T95456W23	FBI,BLM18BD252SH1-CP
L4003	24T45464Y04	FBI,BLM18HD102SH1-CP
LD4001	48T25534Y03	LED,AMB AA1111C -CP
LD4002	48T25534Y01	LED,GRN BG1111C -CP
LD4003	48T25534Y03	LED,AMB AA1111C -CP
LD4004	48T25534Y01	LED,GRN BG1111C -CP
LD4005	48T25534Y03	LED,AMB AA1111C -CP
LD4006	48T25534Y01	LED,GRN BG1111C -CP
LD4007	48T25534Y03	LED,AMB AA1111C -CP
LD4008	48T25534Y01	LED,GRN BG1111C -CP
LD4009	48T25534Y03	LED,AMB AA1111C -CP
LD4010	48T25534Y01	LED,GRN BG1111C -CP
LD4011	48T25534Y03	LED,AMB AA1111C -CP
LD4012	48T25534Y01	LED,GRN BG1111C -CP
LD4013	48T25534Y03	LED,AMB AA1111C -CP
LD4014	48T25534Y01	LED,GRN BG1111C -CP
LD4017	48T25534Y03	LED,AMB AA1111C -CP
LD4018	48T25534Y01	LED,GRN BG1111C -CP
LD4019	48T25534Y03	LED,AMB AA1111C -CP
LD4020	48T25534Y01	LED,GRN BG1111C -CP
LD4021	48T25534Y03	LED,AMB AA1111C -CP
LD4022	48T25534Y01	LED,GRN BG1111C -CP
LD4023	48T25534Y02	LED,RED BR1111C -CP

CDA-9835R

LD4024	48T25534Y02	LED,RED BR1111C	-CP
LD4025	48T25534Y03	LED,AMB AA1111C	-CP
LD4026	48T25534Y01	LED,GRN BG1111C	-CP
LD4027	48T25534Y03	LED,AMB AA1111C	-CP
LD4028	48T25534Y01	LED,GRN BG1111C	-CP
LD4029	48T25534Y03	LED,AMB AA1111C	-CP
LD4030	48T25534Y01	LED,GRN BG1111C	-CP
LD4031	48T25534Y03	LED,AMB AA1111C	-CP
LD4032	48T25534Y01	LED,GRN BG1111C	-CP
LD4033	48T25534Y03	LED,AMB AA1111C	-CP
LD4034	48T25534Y01	LED,GRN BG1111C	-CP
LD4035	48T25534Y03	LED,AMB AA1111C	-CP
LD4036	48T25534Y01	LED,GRN BG1111C	-CP
LD4037	48T25534Y03	LED,AMB AA1111C	-CP
LD4038	48T25534Y01	LED,GRN BG1111C	-CP
LD4039	48T25534Y03	LED,AMB AA1111C	-CP
LD4040	48T25534Y01	LED,GRN BG1111C	-CP
LD4041	48T25534Y03	LED,AMB AA1111C	-CP
LD4042	48T25534Y01	LED,GRN BG1111C	-CP
LD4043	48T25534Y03	LED,AMB AA1111C	-CP
LD4044	48T25534Y01	LED,GRN BG1111C	-CP
LD4047	48T25534Y03	LED,AMB AA1111C	-CP
LD4048	48T25534Y01	LED,GRN BG1111C	-CP
LD4049	48T25534Y03	LED,AMB AA1111C	-CP
LD4050	48T25534Y01	LED,GRN BG1111C	-CP
LD4051	48T75183Y01	LED,R/G/B 1304B	-CP
LD4052	48T25534Y02	LED,RED BR1111C	-CP
LD4053	48T25534Y02	LED,RED BR1111C	-CP
LD4054	48T25534Y02	LED,RED BR1111C	-CP
LD4055	48T25534Y02	LED,RED BR1111C	-CP
Q4001	48T63419F04	TR,CP.2SA1036K-HR-96	
Q4002	48T64222F12	TR,UN221L-TX	-CP
Q4003	48T64222F01	TR,UN2211 10-10	-TX
Q4004	48T64222F03	TR,UN2213 47-47	-TX
Q4005	48T63788F04	TR,CP.2SD1328-T	-TX
Q4008	48T63788F04	TR,CP.2SD1328-T	-TX
Q4009	48T63788F04	TR,CP.2SD1328-T	-TX
Q4015	48T63788F04	TR,CP.2SD1328-T	-TX
Q4016	48T63788F04	TR,CP.2SD1328-T	-TX
Q4017	48T55457Y01	TR,2SB1260-QR-100-E2	
Q4018	48T63788F04	TR,CP.2SD1328-T	-TX
Q4019	48T94582F01	TR,CP 2SC4081-Q	
Q4020	48T45251W03	TR,UN5212 22-22	-CP
Q4021	48T64222F01	TR,UN2211 10-10	-TX
Q4022	48T64222F01	TR,UN2211 10-10	-TX
Q4023	48T64222F01	TR,UN2211 10-10	-TX
Q4024	48T64222F01	TR,UN2211 10-10	-TX
Q4025	48T64222F01	TR,UN2211 10-10	-TX
Q4026	48T64222F01	TR,UN2211 10-10	-TX
R4001	06S55361Y57	RES,RK 471J 1/4	-CP
R4002	06S55365Y98	RES,RK 243J 1/10	-CP
R4003	06S55365Y89	RES,RK 103J 1/10	-CP
R4004	06S70072F95	RES,RK 123J 1/4	-CP
R4006	06S55361Y57	RES,RK 471J 1/4	-CP
R4007	06S55363Y65	RES,RK 102J 1/8	-CP
R4008	06S55363Y65	RES,RK 102J 1/8	-CP
R4009	06S55363Y65	RES,RK 102J 1/8	-CP

R4010	06S55363Y65	RES,RK 102J 1/8 -CP
R4011	06S55363Y65	RES,RK 102J 1/8 -CP
R4012	06S55363Y65	RES,RK 102J 1/8 -CP
R4013	06S55363Y65	RES,RK 102J 1/8 -CP
R4014	06S55365Y41	RES,RK 101J 1/10 -CP
R4015	06S55365Y97	RES,RK 223J 1/10 -CP
R4016	06S55365Y97	RES,RK 223J 1/10 -CP
R4017	06S70072F53	RES,CP .102-J-1/4-CP
R4018	06S70072F53	RES,CP .102-J-1/4-CP
R4019	06S55365Y97	RES,RK 223J 1/10 -CP
R4020	06S55365Y97	RES,RK 223J 1/10 -CP
R4021	06S55364Y22	RES,RK 224J 1/8 -CP
R4022	06S55361Y55	RES,RK 391J 1/4 -CP
R4023	06S55361Y57	RES,RK 471J 1/4 -CP
R4024	06S55361Y55	RES,RK 391J 1/4 -CP
R4025	06S55361Y57	RES,RK 471J 1/4 -CP
R4026	06S55361Y55	RES,RK 391J 1/4 -CP
R4027	06S55361Y57	RES,RK 471J 1/4 -CP
R4028	06S55361Y57	RES,RK 471J 1/4 -CP
R4029	06S55361Y57	RES,RK 471J 1/4 -CP
R4030	06S55361Y57	RES,RK 471J 1/4 -CP
R4031	06S55361Y57	RES,RK 471J 1/4 -CP
R4032	06S55361Y57	RES,RK 471J 1/4 -CP
R4033	06S55361Y57	RES,RK 471J 1/4 -CP
R4034	06S55361Y51	RES,RK 271J 1/4 -CP
R4035	06S55361Y57	RES,RK 471J 1/4 -CP
R4036	06S55361Y57	RES,RK 471J 1/4 -CP
R4037	06S55361Y57	RES,RK 471J 1/4 -CP
R4038	06S55361Y61	RES,RK 681J 1/4 -CP
R4039	06S55361Y61	RES,RK 681J 1/4 -CP
R4040	06S55361Y91	RES,RK 123J 1/4 -CP
R4041	06S55361Y91	RES,RK 123J 1/4 -CP
R4042	06S55365Y65	RES,RK 102J 1/10 -CP
R4043	06S55365Y65	RES,RK 102J 1/10 -CP
R4044	06S55361Y61	RES,RK 681J 1/4 -CP
R4045	06S55361Y57	RES,RK 471J 1/4 -CP
R4046	06S55365Y75	RES,RK 272J 1/10 -CP
R4047	06S55365Y79	RES,RK 392J 1/10 -CP
R4048	06S55365Y87	RES,RK 822J 1/10 -CP
R4049	06S55365Y99	RES,RK 273J 1/10 -CP
R4050	06S55365Y75	RES,RK 272J 1/10 -CP
R4051	06S55365Y79	RES,RK 392J 1/10 -CP
R4052	06S55365Y87	RES,RK 822J 1/10 -CP
R4053	06S55365Y99	RES,RK 273J 1/10 -CP
R4054	06S55365Y65	RES,RK 102J 1/10 -CP
R4055	06S55365Y75	RES,RK 272J 1/10 -CP
R4056	06S55365Y79	RES,RK 392J 1/10 -CP
R4057	06S55365Y87	RES,RK 822J 1/10 -CP
R4058	06S55366Y06	RES,RK 473J 1/10 -CP
R4060	06S55365Y41	RES,RK 101J 1/10 -CP
R4061	06S55363Y65	RES,RK 102J 1/8 -CP
R4062	06S55365Y73	RES,RK 222J 1/10 -CP
R4063	06S55361Y57	RES,RK 471J 1/4 -CP
R4064	06S55365Y41	RES,RK 101J 1/10 -CP
R4065	06S55365Y99	RES,RK 273J 1/10 -CP
R4066	06S55365Y75	RES,RK 272J 1/10 -CP
R4067	06S55365Y79	RES,RK 392J 1/10 -CP

R4068	06S55365Y87	RES,RK 822J 1/10 -CP
R4069	06S55365Y75	RES,RK 272J 1/10 -CP
R4070	06S55365Y73	RES,RK 222J 1/10 -CP
R4071	06S55361Y59	RES,RK 561J 1/4 -CP
R4072	06S55365Y65	RES,RK 102J 1/10 -CP
R4073	06S55365Y65	RES,RK 102J 1/10 -CP
R4074	06S55361Y51	RES,RK 271J 1/4 -CP
R4075	06S55365Y79	RES,RK 392J 1/10 -CP
R4076	06S55365Y87	RES,RK 822J 1/10 -CP
R4077	06S55365Y41	RES,RK 101J 1/10 -CP
R4079	06S55365Y41	RES,RK 101J 1/10 -CP
R4080	06S55365Y41	RES,RK 101J 1/10 -CP
R4081	06S55365Y97	RES,RK 223J 1/10 -CP
R4082	06S55365Y97	RES,RK 223J 1/10 -CP
R4083	06S55366Y14	RES,RK 104J 1/10 -CP
R4084	06S55366Y14	RES,RK 104J 1/10 -CP
R4085	06S55365Y41	RES,RK 101J 1/10 -CP
R4086	06S55365Y41	RES,RK 101J 1/10 -CP
R4087	06S55365Y41	RES,RK 101J 1/10 -CP
R4088	06S55365Y41	RES,RK 101J 1/10 -CP
R4089	06S55365Y41	RES,RK 101J 1/10 -CP
R4090	06S55365Y97	RES,RK 223J 1/10 -CP
R4091	06S55365Y97	RES,RK 223J 1/10 -CP
R4092	06S55365Y41	RES,RK 101J 1/10 -CP
R4093	06S55365Y41	RES,RK 101J 1/10 -CP
R4094	06S55365Y41	RES,RK 101J 1/10 -CP
R4095	06S55366Y14	RES,RK 104J 1/10 -CP
R4096	06S55366Y14	RES,RK 104J 1/10 -CP
R4097	06S55365Y41	RES,RK 101J 1/10 -CP
R4098	06S55365Y41	RES,RK 101J 1/10 -CP
R4099	06S55365Y97	RES,RK 223J 1/10 -CP
R4100	06S55365Y97	RES,RK 223J 1/10 -CP
R4101	06S55365Y97	RES,RK 223J 1/10 -CP
R4102	06S55365Y97	RES,RK 223J 1/10 -CP
R4103	06S55365Y97	RES,RK 223J 1/10 -CP
R4104	06S55365Y41	RES,RK 101J 1/10 -CP
R4105	06S55361Y73	RES,RK 222J 1/4 -CP
R4106	06S55361Y73	RES,RK 222J 1/4 -CP
R4107	06S55365Y98	RES,RK 243J 1/10 -CP
R4108	06S55361Y77	RES,RK 332J 1/4 -CP
R4109	06S55361Y77	RES,RK 332J 1/4 -CP
R4111	06S55366Y06	RES,RK 473J 1/10 -CP
R4112	06S55366Y06	RES,RK 473J 1/10 -CP
R4113	06S55365Y81	RES,RK 472J 1/10 -CP
R4114	06S55365Y77	RES,RK 332J 1/10 -CP
R4116	06S55365Y41	RES,RK 101J 1/10 -CP
R4117	06S55365Y41	RES,RK 101J 1/10 -CP
R4118	06S55365Y41	RES,RK 101J 1/10 -CP
R4119	06S55365Y41	RES,RK 101J 1/10 -CP
R4120	06S55365Y41	RES,RK 101J 1/10 -CP
R4125	06S55366Y14	RES,RK 104J 1/10 -CP
R4126	06S55365Y41	RES,RK 101J 1/10 -CP
R4127	06S55365Y41	RES,RK 101J 1/10 -CP
R4128	06S55365Y57	RES,RK 471J 1/10 -CP
R4129	06S55365Y65	RES,RK 102J 1/10 -CP
R4130	06S55365Y65	RES,RK 102J 1/10 -CP
R4131	06S55365Y65	RES,RK 102J 1/10 -CP

R4132	06S55365Y65	RES,RK 102J 1/10 -CP
R4133	06S55365Y41	RES,RK 101J 1/10 -CP
R4134	06S55365Y41	RES,RK 101J 1/10 -CP
R4135	06S55365Y41	RES,RK 101J 1/10 -CP
R4136	06S55365Y41	RES,RK 101J 1/10 -CP
R4137	06S55365Y41	RES,RK 101J 1/10 -CP
R4138	06S55365Y41	RES,RK 101J 1/10 -CP
R4142	06S55365Y41	RES,RK 101J 1/10 -CP
R4143	06S55365Y41	RES,RK 101J 1/10 -CP
R4144	06S55365Y41	RES,RK 101J 1/10 -CP
R4145	06S55366Y14	RES,RK 104J 1/10 -CP
R4146	06S55365Y65	RES,RK 102J 1/10 -CP
R4147	06S55365Y89	RES,RK 103J 1/10 -CP
R4148	06S55365Y89	RES,RK 103J 1/10 -CP
R4149	06S55365Y89	RES,RK 103J 1/10 -CP
R4150	06S55365Y89	RES,RK 103J 1/10 -CP
R4151	06S55365Y89	RES,RK 103J 1/10 -CP
R4152	06S55361Y50	RES,RK 241J 1/4 -CP
R4153	06S55361Y51	RES,RK 271J 1/4 -CP
R4154	06S55361Y53	RES,RK 331J 1/4 -CP
R4160	06S55365Y73	RES,RK 222J 1/10 -CP
R4161	06S55361Y53	RES,RK 331J 1/4 -CP
R4169	06S55366Y39	RES,RK JUMPER1/10-CP
RA4002	06S45591W07	RES,ARY MNR101J 4-CP
RA4003	06S45591W07	RES,ARY MNR101J 4-CP
RA4006	06S45591W07	RES,ARY MNR101J 4-CP
RA4007	06S45591W07	RES,ARY MNR101J 4-CP
RA4008	06S45591W07	RES,ARY MNR101J 4-CP
RA4009	06S45591W07	RES,ARY MNR101J 4-CP
RA4010	06S45591W07	RES,ARY MNR101J 4-CP
RA4011	06S45591W07	RES,ARY MNR101J 4-CP
RA4012	06S45591W07	RES,ARY MNR101J 4-CP
RA4013	06S45591W07	RES,ARY MNR101J 4-CP
RA4014	06S45591W07	RES,ARY MNR101J 4-CP
RA4019	06S45591W06	RES,ARY MNR102J 4-CP
RA4020	06S45591W07	RES,ARY MNR101J 4-CP
RA4022	06S45591W07	RES,ARY MNR101J 4-CP
RA4023	06S45591W07	RES,ARY MNR101J 4-CP
RA4024	06S45591W07	RES,ARY MNR101J 4-CP
RA4025	06S45591W07	RES,ARY MNR101J 4-CP
SW4004	40T65353Y01	SW,TACT SKRSPACE010E2 (TITLE)
SW4005	40T65353Y01	SW,TACT SKRSPACE010E2 (DISP/B.OUT)
SW4006	40T65353Y01	SW,TACT SKRSPACE010E2 (PLAY/PAUSE/TUNE/A.ME)
SW4007	40T65353Y01	SW,TACT SKRSPACE010E2 (BAND/TEL)
SW4008	40T65353Y01	SW,TACT SKRSPACE010E2 (FWD/UP)
SW4009	40T65353Y01	SW,TACT SKRSPACE010E2 (SOURCE/POWER)
SW4010	40T65353Y01	SW,TACT SKRSPACE010E2 (BWD/DOWN)
SW4011	40T65353Y01	SW,TACT SKRSPACE010E2 (MENU)
SW4012	40T65353Y01	SW,TACT SKRSPACE010E2

		(MX)
SW4013	40T65353Y01	SW,TACT SKRSPACE010E2 (T.INFO)
SW4014	40T65353Y01	SW,TACT SKRSPACE010E2 (RESET)
SW4015	40T65353Y01	SW,TACT SKRSPACE010E2 (FOLDER UP)
SW4016	40T65353Y01	SW,TACT SKRSPACE010E2 (FOLDER SEARCH/Q.S.)
SW4017	40T65353Y01	SW,TACT SKRSPACE010E2 (FOLDER DOWN)
SW4018	40T65353Y01	SW,TACT SKRSPACE010E2 (TILT UP/DOWN)
SW4019	40T65353Y01	SW,TACT SKRSPACE010E2 (2/P.PTY)
SW4020	40T65353Y01	SW,TACT SKRSPACE010E2 (F)
SW4021	40T65353Y01	SW,TACT SKRSPACE010E2 (1/AF)
SW4022	40T65353Y01	SW,TACT SKRSPACE010E2 (3/PTY)
SW4023	40T65353Y01	SW,TACT SKRSPACE010E2 (4/RESET)
SW4024	40T65353Y01	SW,TACT SKRSPACE010E2 (5/M.I.X.)
SW4025	40T65353Y01	SW,TACT SKRSPACE010E2 (6/SCAN)
SW4026	40T65353Y01	SW,TACT SKRSPACE010E2 (EJECT)
XL4001	91T55217Y05	XTL,NX8045GB 20.0-E5
Z4001	91T15058Y07	EMI,NFE31PT222Z1E-CP
Z4002	91T15058Y07	EMI,NFE31PT222Z1E-CP
Z4003	91T15058Y07	EMI,NFE31PT222Z1E-CP
Z4004	91T15058Y07	EMI,NFE31PT222Z1E-CP

=====TUNER MULTI P.W.Board

C1001	08S65128F78	CAP,CER.223K-B1H -CP
C1002	08S82122F25	CAP,CER.33RJ-CH1H-CP
C1003	08S45677W60	CAP,CER 102J-CH1H-CP
C1004	08S45677W24	CAP,CER 33RJ-CH1H-CP
C1005	08S45677W24	CAP,CER 33RJ-CH1H-CP
C1006	08S45677W04	CAP,CER.2R0C-CH1H-CP
C1007	08S45677W07	CAP,CER.5R0C-CH1H-CP
C1009	08S45677W12	CAP,CER.10RD-CH1H-CP
C1010	08S45676W73	CAP,CER.103K-B1H -CP
C1011	08S45676W85	CAP,CER 104K-B1C -CP
C1012	08S45676W69	CAP,CER.472K-B1H -CP
C1013	08S45676W73	CAP,CER.103K-B1H -CP
C1014	08S45677W60	CAP,CER 102J-CH1H-CP
C1015	08S45677W32	CAP,CER.68RJ-CH1H-CP
C1016	08S45677W36	CAP,CER.101J-CH1H-CP
C1017	08S45676W73	CAP,CER.103K-B1H -CP
C1018	08S45676W85	CAP,CER 104K-B1C -CP
C1019	08S45676W85	CAP,CER 104K-B1C -CP
C1020	08S45676W85	CAP,CER 104K-B1C -CP
C1021	08S45676W80	CAP,CER 223K-B1E -CP
C1022	08S45676W68	CAP,CER.392K-B1H -CP

CDA-9835R

C1023	08S45677W38	CAP,CER 121J-CH1H-CP
C1024	08S45676W73	CAP,CER.103K-B1H -CP
C1025	08S45676W73	CAP,CER.103K-B1H -CP
C1026	08S65674Y05	CAP,CER 105KX5R1C-CP
C1027	08S45676W85	CAP,CER 104K-B1C -CP
C1028	08S45676W85	CAP,CER 104K-B1C -CP
C1029	08S65674Y05	CAP,CER 105KX5R1C-CP
C1030	08S65674Y05	CAP,CER 105KX5R1C-CP
C1031	08S45676W80	CAP,CER 223K-B1E -CP
C1032	08S45677W32	CAP,CER.68RJ-CH1H-CP
C1033	08S45676W73	CAP,CER.103K-B1H -CP
C1034	08S45676W85	CAP,CER 104K-B1C -CP
C1035	08S45677W02	CAP,CER 1R0C-CH1H-CP
C1036	08S45677W20	CAP,CER.22RJ-CH1H-CP
C1037	08S45677W16	CAP,CER.15RJ-CH1H-CP
C1038	08S45676W85	CAP,CER 104K-B1C -CP
C1039	08S45676W85	CAP,CER 104K-B1C -CP
C1040	08S45676W73	CAP,CER.103K-B1H -CP
C1041	08S45676W65	CAP,CER.222K-B1H -CP
C1042	08S45677W60	CAP,CER 102J-CH1H-CP
C1043	08S45676W73	CAP,CER.103K-B1H -CP
C1044	08S45676W80	CAP,CER 223K-B1E -CP
C1045	08S45676W80	CAP,CER 223K-B1E -CP
C1046	08S45676W80	CAP,CER 223K-B1E -CP
C1047	08S45677W05	CAP,CER.3R0C-CH1H-CP
C1048	08S45677W12	CAP,CER.10RD-CH1H-CP
C1049	08S45677W12	CAP,CER.10RD-CH1H-CP
C1050	08S45676W73	CAP,CER.103K-B1H -CP
C1051	08S45676W73	CAP,CER.103K-B1H -CP
C1052	08S45677W12	CAP,CER.10RD-CH1H-CP
C1053	08S45676W73	CAP,CER.103K-B1H -CP
C1054	08S45676W73	CAP,CER.103K-B1H -CP
C1055	08S45677W36	CAP,CER.101J-CH1H-CP
C1056	08S45676W80	CAP,CER 223K-B1E -CP
C1057	08S45676W73	CAP,CER.103K-B1H -CP
C1058	08S65674Y05	CAP,CER 105KX5R1C-CP
C1060	08S65669Y02	CAP,CER 474KX7R1E-CP
C1061	08S65669Y02	CAP,CER 474KX7R1E-CP
C1201	08S45676W75	CAP,CER.153K-B1H -CP
C1205	08S45676W85	CAP,CER 104K-B1C -CP
C1206	08S45677W60	CAP,CER 102J-CH1H-CP
C1211	08S45677W36	CAP,CER.101J-CH1H-CP
C1214	08S45676W73	CAP,CER.103K-B1H -CP
C1216	08S65667Y04	CAP,CER 684KX5R1A-CP
C1217	08S45676W73	CAP,CER.103K-B1H -CP
C1218	08S45676W73	CAP,CER.103K-B1H -CP
C1219	08S45676W85	CAP,CER 104K-B1C -CP
C1220	08S45677W60	CAP,CER 102J-CH1H-CP
C1221	08S45676W85	CAP,CER 104K-B1C -CP
C1222	08S45676W85	CAP,CER 104K-B1C -CP
C1223	08S45676W85	CAP,CER 104K-B1C -CP
C1224	08S45676W85	CAP,CER 104K-B1C -CP
C1225	08S45676W85	CAP,CER 104K-B1C -CP
CB1001	09T65422W17	PIN,IMSA6029B-17Z-DB
CB1002	09T03499K32	BTB,53309-3291 -E9
CF1001	91T35405W02	CERFIL,SFELA10M7 -DB
CF1002	91T35405W02	CERFIL,SFELA10M7 -DB

CDA-9835R

CF1003	91T35405W02	CERFIL,SFELA10M7 -DB
D1002	48T65157W01	DIO,VAR KV1410 -XX
D1003	48T65157W01	DIO,VAR KV1410 -XX
D1004	48T65157W01	DIO,VAR KV1410 -XX
D1005	48T68806F01	DIO,1SV172/L -CP
D1013	48T68806F01	DIO,1SV172/L -CP
E1006	23S55039Y02	CAP,ELY 10R-1C -R2
E1007	23S65134W31	CAP,ELY 10R-1C(4)-E2
E1008	23S65134W31	CAP,ELY 10R-1C(4)-E2
E1011	23S55039Y02	CAP,ELY 10R-1C -R2
E1012	23S45639Y08	CAP,ELY 22R-1C -R2
E1014	23S65134W31	CAP,ELY 10R-1C(4)-E2
E1015	23S65134W31	CAP,ELY 10R-1C(4)-E2
E1201	23S45639Y08	CAP,ELY 22R-1C -R2
E1204	23S65134W31	CAP,ELY 10R-1C(4)-E2
E1205	23S65134W31	CAP,ELY 10R-1C(4)-E2
IC1001	51T65382Y01	TDA7518 -QT
IC1002	51T93333F01	NJM2904M-TE3 -SE2
IFT1001	24T45563Y01	COIL,IFT1 F/A 5PG-DB
IFT1002	24T45563Y02	COIL,IFT2 AM 5PG -DB
L1001	91T15509Y08	EMI,BK1608HM102 -CP
L1002	91T15509Y08	EMI,BK1608HM102 -CP
L1005	91T15509Y08	EMI,BK1608HM102 -CP
L1006	24T65176W37	IND,NL453232 102J-E2
L1007	24T25164Y35	IND,FSLM2520 68RJ-CP
L1010	24T65176W37	IND,NL453232 102J-E2
L1013	91T15509Y08	EMI,BK1608HM102 -CP
L1014	91T15509Y08	EMI,BK1608HM102 -CP
L1017	91T15509Y08	EMI,BK1608HM102 -CP
L1018	91T15509Y08	EMI,BK1608HM102 -CP
L1019	24T25164Y11	IND,FSLM2520 R68J-CP
L1020	24T25164Y17	IND,FSLM2520 2R2J-CP
L1021	24T25164Y12	IND,FSLM2520 R82J-CP
Q1003	48T16465W01	FET,CP.3SK195-Y-R
Q1004	48T15606Y01	FET,FC18-TL -CP
R1004	06S55365Y25	RES,RK 22RJ 1/10 -CP
R1005	06S55365Y25	RES,RK 22RJ 1/10 -CP
R1007	06S55365Y73	RES,RK 222J 1/10 -CP
R1008	06S55365Y65	RES,RK 102J 1/10 -CP
R1009	06S55365Y73	RES,RK 222J 1/10 -CP
R1010	06S55366Y38	RES,RK 105J 1/10 -CP
R1011	06S55365Y81	RES,RK 472J 1/10 -CP
R1012	06S55365Y17	RES,RK 10RJ 1/10 -CP
R1013	06S55366Y14	RES,RK 104J 1/10 -CP
R1015	06S55365Y97	RES,RK 223J 1/10 -CP
R1016	06S55365Y89	RES,RK 103J 1/10 -CP
R1017	06S55365Y41	RES,RK 101J 1/10 -CP
R1018	06S55366Y08	RES,RK 563J 1/10 -CP
R1019	06S55365Y81	RES,RK 472J 1/10 -CP
R1020	06S55366Y14	RES,RK 104J 1/10 -CP
R1023	06S55365Y83	RES,RK 562J 1/10 -CP
R1024	06S55365Y61	RES,RK 681J 1/10 -CP
R1028	06S55366Y14	RES,RK 104J 1/10 -CP
R1029	06S55366Y08	RES,RK 563J 1/10 -CP
R1030	06S55365Y83	RES,RK 562J 1/10 -CP
R1034	06S55365Y17	RES,RK 10RJ 1/10 -CP
R1037	06S55366Y08	RES,RK 563J 1/10 -CP

R1038	06S55365Y17	RES,RK 10RJ 1/10 -CP
R1043	06S55365Y09	RES,RK 4R7J 1/10 -CP
R1044	06S55365Y09	RES,RK 4R7J 1/10 -CP
R1045	06S55365Y17	RES,RK 10RJ 1/10 -CP
R1050	06S55365Y91	RES,RK 123J 1/10 -CP
R1211	06S55365Y73	RES,RK 222J 1/10 -CP
R1215	06S55361Y66	RES,RK 112J 1/4 -CP
R1216	06S55361Y66	RES,RK 112J 1/4 -CP
R1218	06S55365Y66	RES,RK 112J 1/10 -CP
VT1001	24T45428Y04	COIL,ANT1 FM 5KR -DB
VT1002	24T45429Y04	COIL,RF FM 5KR -DB
VT1003	24T45427Y03	COIL,OSC F/A 5KR -DB
XL1001	91T45560Y01	XTL,HC-49 10.25M -R5
XL1002	91T15651Y02	CERFIL,CFWLA450K -DB

=====DC-DC P.W.Board

C901	08S65671Y01	CAP,CER 226KX5R1A-CP
C902	08S65671Y01	CAP,CER 226KX5R1A-CP
C903	08S65676Y05	CAP,CER 105KX7R1E-CP
C904	08S65671Y01	CAP,CER 226KX5R1A-CP
C905	08S65676Y05	CAP,CER 105KX7R1E-CP
C910	08S65676Y05	CAP,CER 105KX7R1E-CP
C911	08S65128F78	CAP,CER.223K-B1H -CP
C913	08S45677W38	CAP,CER 121J-CH1H-CP
CB901	09T03498K09	WTB,53253-0910 -DB
D900	48T95572W01	DIO,SHT MA736-TX -E1
E901	23S45639Y10	CAP,ELY 101-1C -R2
E903	23T95564W09	CAP,FC 22R-1C-C -E3
E904	23T95564W09	CAP,FC 22R-1C-C -E3
E905	23S45639Y10	CAP,ELY 101-1C -R2
E910	23T65114Y23	CAP,FK 471-1C-F -EA
E911	23T65114Y30	CAP,FK 331-1E-F -EA
IC901	51T65166Y01	MAX829EUK -CP
IC910	51T15131Y01	NJM2360AM-TE2 -SE6
L901	24T16271W21	IND,RCR-875D 102K +
L902	24T16271W21	IND,RCR-875D 102K +
L903	24T16271W21	IND,RCR-875D 102K +
L910	24T25565Y11	IND,SLF12565 221M-EA
L911	24T15313Y17	IND,CDRH104 221M -E6
Q901	48T45594W16	TR,XN1A311-TX -CP
Q910	48T35569Y01	TR,2SD1802-TL -E5
R909	06S55362Y39	RES,RK JUMPER 1/4-CP
R910	06S55361Y50	RES,RK 241J 1/4 -CP
R911	06S55362Y40	RES,RK 1R0J 1/4 -CP
R912	06S55362Y40	RES,RK 1R0J 1/4 -CP
R913	06S55362Y40	RES,RK 1R0J 1/4 -CP
R914	06S55362Y40	RES,RK 1R0J 1/4 -CP
R915	06S15593Y61	RES,RK 332F 1/10 -CP
R916	06S15593Y84	RES,RK 303F 1/10 -CP
R917	06S15593Y57	RES,RK 222F 1/10 -CP
R918	06S55361Y47	RES,RK 181J 1/4 -CP
R919	06S15593Y76	RES,RK 133F 1/10 -CP
SD901	48T95294W01	DIO,SHT MA740-TX -CP
SD910	48T65122W01	DIO,SHT SS14-6600-E1
TH910	48T25250Y06	TMT,ERTJ1VR223G -CP

=====DP-S MAIN P.W.Board

C101	08S45676W73	CAP,CER.103K-B1H -CP
C102	08S45676W73	CAP,CER.103K-B1H -CP
C103	08S45676W73	CAP,CER.103K-B1H -CP
C104	08S45676W73	CAP,CER.103K-B1H -CP
C105	08S45676W73	CAP,CER.103K-B1H -CP
C106	08S45676W73	CAP,CER.103K-B1H -CP
C107	08S45676W73	CAP,CER.103K-B1H -CP
C108	08S45676W73	CAP,CER.103K-B1H -CP
C109	08S45676W73	CAP,CER.103K-B1H -CP
C110	08S45676W73	CAP,CER.103K-B1H -CP
C112	08S45676W73	CAP,CER.103K-B1H -CP
C113	08S45676W73	CAP,CER.103K-B1H -CP
C116	08S45677W12	CAP,CER.10RD-CH1H-CP
C118	08S45676W73	CAP,CER.103K-B1H -CP
C120	08S45676W73	CAP,CER.103K-B1H -CP
C121	08S45676W85	CAP,CER 104K-B1C -CP
C122	08S45676W85	CAP,CER 104K-B1C -CP
C123	08S45676W73	CAP,CER.103K-B1H -CP
C124	08S45676W73	CAP,CER.103K-B1H -CP
C125	08S45676W73	CAP,CER.103K-B1H -CP
C126	08S45677W12	CAP,CER.10RD-CH1H-CP
C133	08S45676W73	CAP,CER.103K-B1H -CP
C134	08S45676W68	CAP,CER.392K-B1H -CP
C135	08S45676W73	CAP,CER.103K-B1H -CP
C201	08S45676W66	CAP,CER.272K-B1H -CP
C202	08S45676W66	CAP,CER.272K-B1H -CP
C203	08S45676W93	CAP,CER 224K-B1A -CP
C204	08S45676W85	CAP,CER 104K-B1C -CP
C206	08S45677W46	CAP,CER 271J-CH1H-CP
C207	08S45676W70	CAP,CER 562K-B1H -CP
C208	08S45676W85	CAP,CER 104K-B1C -CP
C210	08S45676W85	CAP,CER 104K-B1C -CP
C211	08S45676W93	CAP,CER 224K-B1A -CP
C212	08S45676W73	CAP,CER.103K-B1H -CP
C213	08S45676W85	CAP,CER 104K-B1C -CP
C214	08S45676W85	CAP,CER 104K-B1C -CP
C215	08S45676W85	CAP,CER 104K-B1C -CP
C216	08S45677W60	CAP,CER 102J-CH1H-CP
C401	08S45676W85	CAP,CER 104K-B1C -CP
C402	08S45676W85	CAP,CER 104K-B1C -CP
C403	08S45677W38	CAP,CER 121J-CH1H-CP
C404	08S45677W34	CAP,CER.82RJ-CH1H-CP
C406	08S45676W67	CAP,CER.332K-B1H -CP
C407	08S45676W73	CAP,CER.103K-B1H -CP
C408	08S45676W85	CAP,CER 104K-B1C -CP
C409	08S45676W85	CAP,CER 104K-B1C -CP
C410	08S45676W73	CAP,CER.103K-B1H -CP
C412	08S45676W85	CAP,CER 104K-B1C -CP
C413	08S35350Y05	CAP,CER 105K-B1A -CP
C414	08S45676W86	CAP,CER 273K-B1E -CP
C415	08S45676W72	CAP,CER 822K-B1H -CP
C418	08S45677W54	CAP,CER 561J-CH1H-CP
C419	08S45676W86	CAP,CER 273K-B1E -CP
C420	08S45676W73	CAP,CER.103K-B1H -CP
C421	08S45677W01	CAP,CER 0R5C-CH1H-CP
C422	08S45677W01	CAP,CER 0R5C-CH1H-CP
C423	08S45677W01	CAP,CER 0R5C-CH1H-CP

CDA-9835R

C424	08S45677W01	CAP,CER 0R5C-CH1H-CP
C425	08S45677W34	CAP,CER.82RJ-CH1H-CP
C427	08S45676W85	CAP,CER 104K-B1C -CP
C501	08S35350Y05	CAP,CER 105K-B1A -CP
C502	08S35350Y05	CAP,CER 105K-B1A -CP
C503	08S45677W60	CAP,CER 102J-CH1H-CP
C504	08S45677W60	CAP,CER 102J-CH1H-CP
C505	08S45677W60	CAP,CER 102J-CH1H-CP
C506	08S45677W60	CAP,CER 102J-CH1H-CP
C510	08S45676W85	CAP,CER 104K-B1C -CP
C551	08S45676W85	CAP,CER 104K-B1C -CP
C552	08S45676W85	CAP,CER 104K-B1C -CP
C601	08S45676W80	CAP,CER 223K-B1E -CP
C602	08S45677W44	CAP,CER.221J-CH1H-CP
C603	08S45677W44	CAP,CER.221J-CH1H-CP
CB101	09T45435W22	FFC,52207-2290 -EQ
CB102	09T45435W15	FFC,52207-1590 -ED
CB103	09T45435W07	FFC,52207-0790 -E9
CB104	09T35236Y22	BTB,IMSA9851S-22Y-EQ
D601	48T81063F01	DIO,CP.MA159 / TX-CP
E101	23T65680Y09	CAP,UD 101-0J -E2
E102	23T65680Y09	CAP,UD 101-0J -E2
E104	23T45152Y04	CAP,RA 10R-1C -E5
E105	23T45152Y04	CAP,RA 10R-1C -E5
E106	23T45152Y04	CAP,RA 10R-1C -E5
E401	23S55311W35	CAP,TAN 10R-1C-B -CP
E402	23S55311W35	CAP,TAN 10R-1C-B -CP
E403	23T45152Y02	CAP,RA 47R-05 -E5
E405	08S65671Y01	CAP,CER 226KX5R1A-CP
E501	23T45152Y03	CAP,RA 22R-OJ -E5
E502	23T45152Y03	CAP,RA 22R-OJ -E5
E504	23T45152Y04	CAP,RA 10R-1C -E5
E505	23T45152Y03	CAP,RA 22R-OJ -E5
E551	23T45152Y03	CAP,RA 22R-OJ -E5
E601	23T45152Y04	CAP,RA 10R-1C -E5
IC101	51T65495Y01	TMS320DA150PGE160-QT
IC103	51T65581Y01	MBM29DL800BA-90 -ST
IC104	51T65586Y01	TC74VHC139FT -SE5
IC107	51T35445Y01	TC7WHU04FU-TE12L-SE1
IC108	51T55184Y04	TAR5S16-TE85L -CP
IC109	51T65074Y13	S-80927CLMC-T2 -CP
IC110	51T35316Y01	TC7S14FU-TE85L -CP
IC201	51T55223Y02	MN6627482WB -QT
IC401	51T45331Y01	AN22000A-E1 -SE9
IC501	51T16025W01	IC,NJM2100M-TE3-SE03
IC503	51T35410Y01	S-817A33ANB-T2 -CP
IC504	51T11054W02	NJM78L05UA-TE1 -NE2
IC601	51T55093Y01	BA5984FP-E2 -SEA
L102	24T25164Y21	IND,FSLM2520 4R7J-CP
L104	24T25164Y21	IND,FSLM2520 4R7J-CP
Q401	48T55462Y01	TR,2SB1132-QR-100-E2
R101	06S45674W97	RES,RK 473J 1/10 -CP
R102	06S45674W97	RES,RK 473J 1/10 -CP
R103	06S45674W97	RES,RK 473J 1/10 -CP
R104	06S45674W97	RES,RK 473J 1/10 -CP
R105	06S45674W97	RES,RK 473J 1/10 -CP
R106	06S45674W97	RES,RK 473J 1/10 -CP

R107	06S45674W97	RES,RK 473J 1/10 -CP
R108	06S45674W97	RES,RK 473J 1/10 -CP
R109	06S45674W97	RES,RK 473J 1/10 -CP
R110	06S45674W97	RES,RK 473J 1/10 -CP
R113	06S45674W97	RES,RK 473J 1/10 -CP
R114	06S45674W97	RES,RK 473J 1/10 -CP
R115	06S45674W97	RES,RK 473J 1/10 -CP
R116	06S45674W33	RES,RK 101J 1/10 -CP
R119	06S45675W06	RES,RK 104J 1/10 -CP
R121	06S45674W89	RES,RK 223J 1/10 -CP
R122	06S45674W89	RES,RK 223J 1/10 -CP
R124	06S45674W97	RES,RK 473J 1/10 -CP
R125	06S45674W97	RES,RK 473J 1/10 -CP
R126	06S45674W97	RES,RK 473J 1/10 -CP
R127	06S45674W97	RES,RK 473J 1/10 -CP
R129	06S45674W41	RES,RK 221J 1/10 -CP
R130	06S45675W43	RES,RK JUMPER1/10-CP
R135	06S45675W43	RES,RK JUMPER1/10-CP
R137	06S45674W21	RES,RK 33RJ 1/10 -CP
R138	06S45675W30	RES,RK 105J 1/10 -CP
R140	06S45674W21	RES,RK 33RJ 1/10 -CP
R141	06S45674W33	RES,RK 101J 1/10 -CP
R142	06S45675W43	RES,RK JUMPER1/10-CP
R143	06S45675W43	RES,RK JUMPER1/10-CP
R144	06S45675W43	RES,RK JUMPER1/10-CP
R145	06S45675W43	RES,RK JUMPER1/10-CP
R146	06S45674W33	RES,RK 101J 1/10 -CP
R147	06S45674W33	RES,RK 101J 1/10 -CP
R148	06S45674W33	RES,RK 101J 1/10 -CP
R151	06S45674W33	RES,RK 101J 1/10 -CP
R152	06S45674W33	RES,RK 101J 1/10 -CP
R201	06S45674W97	RES,RK 473J 1/10 -CP
R202	06S45675W43	RES,RK JUMPER1/10-CP
R204	06S45675W14	RES,RK 224J 1/10 -CP
R207	06S45675W43	RES,RK JUMPER1/10-CP
R208	06S45674W41	RES,RK 221J 1/10 -CP
R209	06S45675W04	RES,RK 823J 1/10 -CP
R210	06S45675W06	RES,RK 104J 1/10 -CP
R213	06S45674W97	RES,RK 473J 1/10 -CP
R214	06S45674W97	RES,RK 473J 1/10 -CP
R218	06S45675W43	RES,RK JUMPER1/10-CP
R219	06S45675W43	RES,RK JUMPER1/10-CP
R401	06S45674W82	RES,RK 113J 1/10 -CP
R402	06S45675W43	RES,RK JUMPER1/10-CP
R403	06S45675W43	RES,RK JUMPER1/10-CP
R404	06S45674W82	RES,RK 113J 1/10 -CP
R405	06S55366Y23	RES,RK 244J 1/10 -CP
R406	06S45675W14	RES,RK 224J 1/10 -CP
R407	06S45674W95	RES,RK 393J 1/10 -CP
R408	06S55366Y08	RES,RK 563J 1/10 -CP
R409	06S45675W43	RES,RK JUMPER1/10-CP
R410	06S45674W81	RES,RK 103J 1/10 -CP
R414	06S45674W89	RES,RK 223J 1/10 -CP
R415	06S45674W81	RES,RK 103J 1/10 -CP
R417	06S45675W43	RES,RK JUMPER1/10-CP
R418	06S70072F90	RES,CP .1R0-J-1/4-CP
R419	06S45674W71	RES,RK 392J 1/10 -CP

R420	06S45674W77	RES,RK 682J 1/10 -CP
R421	06S45674W65	RES,RK 222J 1/10 -CP
R422	06S45674W55	RES,RK 821J 1/10 -CP
R428	06S45674W65	RES,RK 222J 1/10 -CP
R430	06S45674W55	RES,RK 821J 1/10 -CP
R435	06S45674W89	RES,RK 223J 1/10 -CP
R501	06S55365Y96	RES,RK 203J 1/10 -CP
R502	06S55365Y96	RES,RK 203J 1/10 -CP
R503	06S55365Y97	RES,RK 223J 1/10 -CP
R504	06S55365Y97	RES,RK 223J 1/10 -CP
R505	06S55365Y79	RES,RK 392J 1/10 -CP
R506	06S55365Y79	RES,RK 392J 1/10 -CP
R507	06S55365Y79	RES,RK 392J 1/10 -CP
R508	06S55365Y79	RES,RK 392J 1/10 -CP
R509	06S55366Y14	RES,RK 104J 1/10 -CP
R510	06S55366Y14	RES,RK 104J 1/10 -CP
R511	06S55365Y89	RES,RK 103J 1/10 -CP
R512	06S55365Y89	RES,RK 103J 1/10 -CP
R513	06S55365Y89	RES,RK 103J 1/10 -CP
R514	06S55365Y89	RES,RK 103J 1/10 -CP
R515	06S55365Y49	RES,RK 221J 1/10 -CP
R516	06S55365Y49	RES,RK 221J 1/10 -CP
R517	06S55365Y93	RES,RK 153J 1/10 -CP
R518	06S55365Y93	RES,RK 153J 1/10 -CP
R519	06S55365Y89	RES,RK 103J 1/10 -CP
R520	06S55365Y89	RES,RK 103J 1/10 -CP
R550	06S45674W13	RES,RK 15RJ 1/10 -CP
R551	06S45674W13	RES,RK 15RJ 1/10 -CP
R603	06S45674W89	RES,RK 223J 1/10 -CP
R604	06S45674W89	RES,RK 223J 1/10 -CP
R605	06S45674W81	RES,RK 103J 1/10 -CP
R606	06S45674W81	RES,RK 103J 1/10 -CP
R607	06S45675W43	RES,RK JUMPER1/10-CP
R608	06S45674W89	RES,RK 223J 1/10 -CP
R609	06S45674W73	RES,RK 472J 1/10 -CP
R610	06S45674W33	RES,RK 101J 1/10 -CP
R611	06S45674W93	RES,RK 333J 1/10 -CP
R612	06S45674W85	RES,RK 153J 1/10 -CP
R613	06S45674W33	RES,RK 101J 1/10 -CP
R616	06S45675W43	RES,RK JUMPER1/10-CP
R617	06S45674W97	RES,RK 473J 1/10 -CP
R618	06S45674W33	RES,RK 101J 1/10 -CP
R619	06S45674W89	RES,RK 223J 1/10 -CP
R620	06S45674W33	RES,RK 101J 1/10 -CP
R621	06S45675W43	RES,RK JUMPER1/10-CP
R622	06S45675W22	RES,RK 474J 1/10 -CP
RA101	06S45591W02	RES,ARY MNR473J 4-CP
RA102	06S45591W02	RES,ARY MNR473J 4-CP
RA103	06S45591W02	RES,ARY MNR473J 4-CP
RA104	06S45591W07	RES,ARY MNR101J 4-CP
RA105	06S45591W07	RES,ARY MNR101J 4-CP
RA106	06S45591W07	RES,ARY MNR101J 4-CP
RA107	06S45591W07	RES,ARY MNR101J 4-CP
RA108	06S45591W07	RES,ARY MNR101J 4-CP
RA109	06S45591W07	RES,ARY MNR101J 4-CP
RA110	06S45591W07	RES,ARY MNR101J 4-CP
RA111	06S45591W07	RES,ARY MNR101J 4-CP

RA112	06S45591W07	RES,ARY MNR101J 4-CP
RA113	06S45591W07	RES,ARY MNR101J 4-CP
RA115	06S45591W07	RES,ARY MNR101J 4-CP
RA116	06S45591W07	RES,ARY MNR101J 4-CP
RA117	06S45591W07	RES,ARY MNR101J 4-CP
RA201	06S45591W07	RES,ARY MNR101J 4-CP
RA202	06S45591W07	RES,ARY MNR101J 4-CP
RA203	06S45591W07	RES,ARY MNR101J 4-CP
XL102	91T35227Y01	XTL,CS10 16.9344M-E2
=====Miscellaneous		
ANT001	01T03151K05	ASSY,ANTCABLE ISO35R
CB801	09T35473Y16	WTB,F169B001-16 -DB
CH350	01T75363Y02	ASSY,AMP LINK 9831A
CH511	01T02295K03	ASSY,UNIZON CONN 93R
CH831	01T25413Y01	ASSY,CONN 2P
DIN501	09T55071W11	CON,TCP9389-11 -DT
ET200	01T35497Y39	ASSY,WIRE RCA 9835R (SUB-W)
JK202	01T02234K03	ASSY,CONN NLT1661 (F/R)
JK601	09T03156K01	JAC,CK-3.5-14 -DB
M831	59T65085W01	MOTOR,LOAD FF-050SK (NOSE MOTOR/7V-370mA)
M802	59T03808K01	MOTOR,DF251R-12LC-07 (FAN MOTOR/12V-60mA)
OELD1	01T75274Y01	OELD,UEL10042
SW602	40T15494Y08	SW,DETCT SPVG11 -E6 (NOSE OPEN DET)
SW603	40T15494Y07	SW,DETCT SPVG21 -E6 (NOSE CLOSE DET)
SW4027	40T55277Y04	ENC,EC11E1544509 -B (ROTARY ENCODER VOLUME /MODE)
=====DP23S27R		
HD101	81B60955Y01	PICKUP,EP21A68L
M101	01V56100Y14	ASSY,MOTOR WORM 2BO (3.5V-80mA)
M102	01V56100Y12	ASSY,MOTOR SLED 2BO (3.5V-80mA)
M103	01V56100Y11	ASSY,MTR SPINDOL 2BO (3V-90mA)
SW1	40T15494Y01	SW,DETCT SPVG23 -E6 (12cm DISC DETECT (EJECT POSITION/RELOAD))
SW2	40T15494Y02	SW,DETCT SPVG13 -E6 (8/12cm DISC DETECT (INSERT/PULL OUT))
SW3	40T15494Y07	SW,DETCT SPVG21 -E6 (8cm DISC DETECT (EJECT POSITION/RELOAD))
SW4	40T15494Y01	SW,DETCT SPVG23 -E6 (DISC CHUCKING END DETECT)
SW105	40T71025F03	SW,DETCT SPPB120 (LIMIT)

Cabinet Assembly Parts List

NOTE : The part that has not PART NUMBER will not be supplied.

1	01V74900Y89	ASSY,NOSE UNIT 35RT
2	-----	COVER, TOP
3	-----	CHAS, BASE
4	14B04105K01	INS, MAIN(SWING)
5	13B03464K01	NOSE, BASE(CD) ASSY
6	03S60822Y12	SCR, S-T 2.6X6 ZN A
7	13D02363K01	NOSE, BASE COVER
8	03S60822Y22	SCR, S-T 2.6X14 ZN A
9	03T25225Y01	SCR, GND
10	33C04102K02	FACE, PLATE
11	07D00749K01	BKT, SIDE L
12	07D00749K02	BKT, SIDE R
13	-----	HEAT, SINK(SWING)
14	-----	HEAT, SINK(S)
15	03S60825Y04	SCR, B-T 3X8 ZN A
16	81D70427Y01	DP23S27R
17	-----	BKT, MECH(CD)
18	30T03013K10	SMCD22X95BDX6(BL)M
19	26A41622Y01	SHIELD, PLATE(CD)
21	36A04141K02	KNOB, SLIDE
22	09T84840F01	LUG, STYLE 18MM
24	15C03065K01	CASE, SHIELD(A)
25	15C03066K01	CASE, SHIELD(B)
26	14A03067K01	INSULATOR, TUNER
27	-----	BKT, CHAS REAR(SW)
28	-----	BKT, IC
29	14S31545Y16	INS, CVR 59X8XT0.1
30	14S31545Y17	INS, CVR 100X8XT0.1
31	09T84840F02	LUG, STYLE 32MM
33	30T04251K01	SML2CD30X31BDX6(BL)M
34	14S70565Y31	INS, CVR 12X3XT0.05
35	15C11509Y01	CASE, DC-DC
36	15B11508Y01	COVER, DC-DC
37	13D04078K04	NOSE, PIECE ASSY(H)
38	13D04103K02	NOSE, BOTTOM
39	03S68555F20	SCR, WAVE M1.7X5
40	41A04158K01	SPRING, KNOB
41	36B04099K02	KNOB, ROTARY ASSY
42	03S94385F77	SCR, NYLOK M1.7X3
43	03S60822Y10	SCR, S-T 2.6X5 ZN A
44	75T25010Y78	CUSHION, SHLD10-1-20
45	14S50096Y69	INS, CVR 40X17.5XT0.3
46	14A20122Y01	INSULATOR, DC-DC
47	30-01383Z01	SHIELD WIRE 9835A
48	30-01384Z01	SHIELD WIRE 9835R
100	07B02259K01	BKT, SLIDER
101	07A01754K01	BKT, ARM(L)
102	07A01754K02	BKT, ARM(R)
103	07A02260K02	BKT, BASE L
104	07C02261K02	BKT, BASE R
105	41A50048Y01	SPRING, WORM
106	44A02263K01	GEAR, ID

CDA-9835R

107	44A02262K01	GEAR,SLIDER
108	41A50060Y01	SPRING,SLIDE
109	01C01750K01	BKT,FRONT BASE ASSY
110	03A20851Y02	SCR,SLIDER
111	44-01037Z01	GEAR,CLUTCH ASSY
112	44A01840K01	GEAR,WORM
113	03S94385F13	SCR,NYLOK M2.6X3
114	03S60820Y06	SCR,MCH 2X3.5 ZNNA
115	03S68259F23	SCR,P-LOCK M2X3
116	04B41345P54	WASHER,LOCK
117	43A50493Y01	BUSH,SLIDER
118	41A50492Y01	SPRING,NOSE
119	75S40755Y50	CUS,RUB 18X4XT2

CD Deck Mechanism Assembly Parts List

NOTE : The part that has not PART NUMBER will not be supplied.

1	01V31800Y79	ASSY,ARM GUIDE
2	27C11557Y02	CHASSIS, TOP
3	45B11564Y02	LEVER, LINK-TOP
4	45B11595Y02	LEVER DISC(R)
5	45B11596Y02	LEVER, DISC(L)
6	41B11613Y16	SPRING, PULL
7	15D50248Y02	GUIDE, TOP-DPS2
9	07C50608Y01	BKT, MOTOR LOAD-P
10	03S40014G07	SCR, MCH M2X4
11	44B11578Y02	GEAR, (A)
12	44B11579Y02	GEAR, (B)
13	44B11580Y02	GEAR, (C)
19	27D11602Y04	CHASSIS, PICKUP
20	47A11575Y01	SHAFT, PICK
21	01V28100Y59	ASSY, SHAFT. SCREW
22	44A70590W03	GEAR, MIDDLE
23	03S72235F96	SCR, MCH M1.7X3.5(SW)
24	07B30337Y02	BKT, SPRING NUT
25	41A11606Y02	SPRING NUT
26	03S94385F18	SCR, NYLOK M2X3.5
27	84T01803K01	PANEL, FPC CONT
28	41B11566Y02	SPRING, SHAFT
29	03S70494F13	SCR, P-TITE M2X6 BLK
30	-----	ASSY, RIV ARM CLAMP
31	-----	LEVER, LOCK
34	43A70141Y02	TABLE, CLAMPER
36	-----	SLIDER, DISC
37	45A11599Y02	LEVER, ACTUATOR
38	41B11613Y03	SPRING, PULL
39	41B11613Y05	SPRING, LEV-ACT
40	41A11609Y01	SPRING, LEVER
42	41B11613Y15	SPRING, PULL
43	41A11040Y02	SPRING, SLED-HOE
44	03S70494F52	SCR, P-TITE M1.4X4.5
45	43A21240Y01	SHEET, FPC PICK
46	-----	ASSY, RIV CHAS BASE
47	45B40510Y02	SLIDER, LOAD
48	44B40527Y02	RACK
49	45A11601Y02	LEVER, TRIGER
50	44B11581Y02	GEAR, (D)
51	45B11594Y02	SLIDER, LOCK(L)
52	45A11592Y02	ARM, LOCK(L2)
53	03A11574Y01	SCREW, LOCK
54	45B11591Y02	ARM, LOCK(L1)
55	07A50606Y01	BKT, MOTOR WIRE-P
56	45B11593Y02	SLIDER, LOCK(R)
57	45B11607Y02	ARM, LOCK(R)
58	45A11597Y02	LEVER, SW
59	41B11613Y04	SPRING, TRIGER
60	75C30466Y14	DAMPER, DPS2
61	41B11613Y06	SPRING, PULL
62	41B11613Y07	SPRING, PULL

CDA-9835R

63	41B11613Y08	SPRING,PULL
64	41A40518Y01	SPRING,ROL
65	41A31894Y02	SPRING,SLIDER
66	-----	BKT,SP-TOP
67	03A21791Y01	SCREW,M2X3.5 S-TITE
68	07B20905Y02	BKT,FPC CONT
69	30T15126W15	WIRE,PC JOINT 7P
72	41A21613Y02	SPRING,SPINDLE
74	14A21415Y02	INS,CVR
75	43A31443Y01	ROLLER,ARM DISC (C)
77	75C30466Y15	DAMPER,DPS2
78	41B11613Y14	SPLING,PULL
79	04B41345P52	WASH,1.6X3.5X0.25
82	44B40523Y02	GEAR,BASE
83	04A40528Y01	WASHER,FELT
84	44A40524Y02	GEAR,CLUTCH
85	41A40529Y01	SPRING,CLUTCH
86	44A40525Y02	GEAR,PINION
87	15A40526Y02	HOLDER,CLUTCH
88	43A41446Y02	SLEEVE,CLUTCH
89	04B41345P25	WASH,L. 3.1X6X0.35
90	03S44205G99	SCR,T-TITE M2X3
92	07A70119Y01	BKT,CLAMPER
93	41A70118Y01	SPG,LEVER
94	75A21286Y05	CUSHION,PWB