

SERVICE

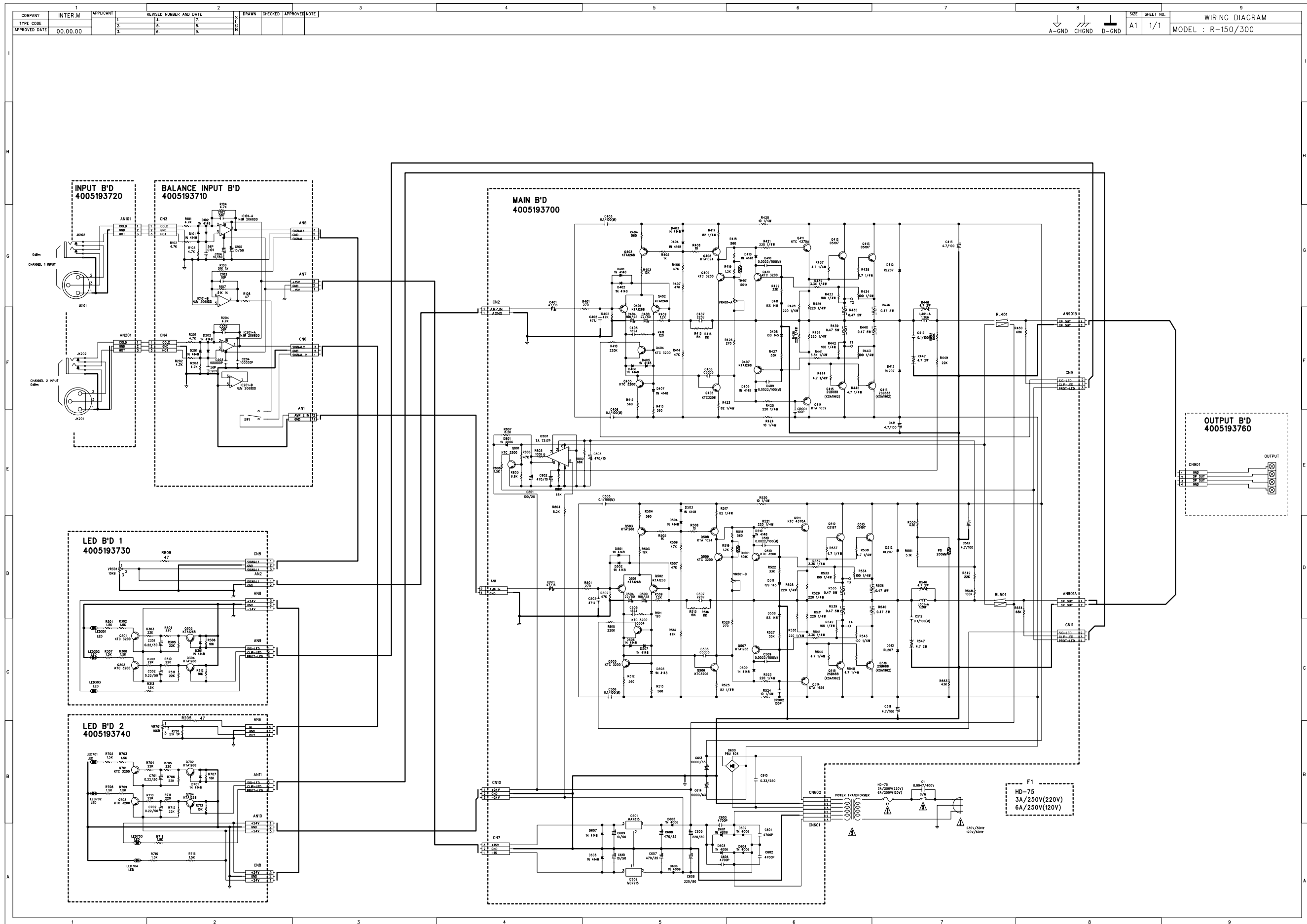
MANUAL

R E F E R E N C E S E R I E S

AMPLIFIER

R-150/300/500

interM



ELECTRICAL PARTS LIST (R-150/300)

Ref. No.	Part. No.	Description	VALUE	Q'ty	
MAIN B'D(4005193700E)					
D600	2058100988	DIODE BRIDGE PBU 804	PBU 804	1	(R-150,REF-2075)
	8099130161	HEX MSPW 3*16Y		1	
C405 C505	3698152198	CAP NPP POLY 152J 2J	152J	2	
C407 C507	3678220177	CAP M1 DM 10C 220J5	220J	2	
C402 C502	3688471118	CAP MO SR22C 471JA	471J	2	
C408 C508	3678050177	CAP M1 DM10C 050D5	050D5	2	
CR001,CR002	3509101160-T	CAP CE SL 100PF 500V J	100P	2	
C203,C204	3529104531-A	CAP CE F 100000PF 50V Z	100000P	2	
C601,C602,C603,C604	3509472950-T	CAP CE F 4700PF 500V Z	4700P	4	
AN1, CN2	4428595002	LW5267/LWB0640/2.5MM-02P	LW2P	2	
AN901B, AN901A	4355838610	CON ASSY 4P	4P	2	
CN601	4428595003	LW5267/LWB0640/2.5MM-03P	LW3P	1	
CN7,CN9,CN10,CN11	4428598303	CONNECTOR WAFER LW-0640-3P	3P	4	
CN602	4428596603	LOCK WAFER LW-1143-03P	3P	1	
L401,L501	2648099940	COIL INDUCTOR 1.2UH	1.2UF	2	
D601,D602,D603,D604 D605,D606,D801	2058100996	DIODE RECTIFIER LT1N4006(4007)	1N 4006	7	
D401,D402,D403 D404,D405,D406,D407 D409,D410, D501,D502 D503,D504,D505,D506 D507,D509,D510 D607,D608	2058304100	DIODE IN4148M	1N 4148	20	
D408 D411 D508 D511 D412,D413, D512,D513 C609,C610 C404,C500,C801 C613,C614 C613,C614 C400 C504 C605,C606 C411 C413 C511 C513 C401 C501 C802,C803 C607, C608 IC801 IC601 IC602 C409,C410, C509,C510	2058322100 2058100110 3409210071-T 3409210141-T 3419010385 3419568224 3409222071-T 3409222171-T 3409247991-T 3409547031-T 3409247121-T 3408247161 2118050410 2128610900 2128610800 3609222120-T	DIODE 1SS145 ROHM DIODE RL207 PYUNG CHANG CAP AF RSG 10UF 50V 5 P CAP AF RSG 100UF 25V 6 P CAP AF HC 10000UF 63V 30*50 CAP AF HS 6800UF 50V 30 P LUG CAP AF RSG 22UF 50V 5 P CAP AF RSG 220UF 50V SG 10 P CAP AF RSG 4.7UF 100V 5 P CAP AF 47UF 16V (MOSE) CAP AF RSG 470UF 10V SG 8 P CAP RSA 470UF 35V SNAP 13 P IC TA7317P TOSHIBA IC KA7815 COMMON IC MC7915 COMMON CAP MA 0.0022UF 100V J	ISS 145 RL207 10/50 100/25 10000/63 6800/50 22/50 220/50 4.7/100 47/16 470/10 470/35 TA 7317P KA7815 MC7915 0.0022/100(M)	4 4 2 3 2 2 2 4 2 2 2 1 1 1 1 4	(R-300,REF-2150) (R-150,REF-2075)
C403 C406 C412 C503 C506 C512	3609104122-T	CAP MA 0.1UF 100V J SMALL	0.1/100(M)	6	
C910	3619334153	CAP POLY TM 0.33UF 250V	0.33/250	1	
R435,R436, R439,R440 R535,R536, R539,R540	3049478783	RES CE 0.47 5W J T HAN NAE	0.47 5W	8	
R409 R419 R509 R519 R808	3009122973 3009152973	RES CF 1.2K 1/5W J N RES CF 1.5K 1/5W J N	1.2K 1.5K	4 1	
R433,R434, R442,R443 R533,R534, R542,R543	3079101275	RES ERD-2FCVG 101T 1/4W R	100 1/4W	8	
R550 R553 R408 R508 R420 R424 R520 R524 R411 R511 R415,R515 R415,R515 R405 R505	3009433973 3009100973 3089100275 3009121973 3009183973 3009223973 3009102973	RES CF 43K 1/5W JN RES CF 10 1/5W J N RES NFR 10 1/4W J R PHILKO RES CF 120 1/5W J N RES CF 18K 1/5W J N RES CF 22K 1/5W J N RES CF 1K 1/5W J N	43K 10 10 1/4W 120 18K 22K 1K	2 2 4 2 2 2 2	(R-150,REF-2075) (R-300,REF-2150)
R421,R425,R428,R429	3009221273	RES CF 220 1/4W J	220 1/4W	12	

R430,R431,R521,R523 R528,R529,R530,R531					
R410,R510	3009224973	RES CF 220K 1/5W J N	220K	2	
R416,R516	3009113973	RES CF 11K 1/5W J N	11K	2	(R-150,REF-2075)
R416,R516	3009223973	RES CF 22K 1/5W J N	22K	2	(R-300,REF-2150)
R449,R549	3009223973	RES CF 22K 1/5W J N	22K	2	
R448,R548,R803	3009104973	RES CF 100K 1/5W J N	100K	3	
R401,R426,R501,R526	3009271973	RES CF 270 1/5W J N	270	4	
R432,R441,R532,R541	3089332275	RES NFR 3.3K 1/4W J R PHILKO	3.3K 1/4W	4	
R422,R427,R522,R527	3009333973	RES CF 33K 1/5W J N	33K	4	
R437,R438,R444,R445 R537,R538,R544,R545	3089479275	RES NFR 4.7 1/4W J R PHILKO	4.7 1/4W	8	
R446,R447,R546,R547	3039479572-F	RES MO 4.7 2W J N	4.7 2W	4	(R-300,REF2150)
R446,R447,R546,R547	3039479575-T	RES MO 4.7 2W J RADIAL	4.7 2W	4	(R-150,REF2075)
R403,R503	3009123973	RES CF 12K 1/5W J N	12K	2	
R402,R406,R407,R414 R502,R506,R507,R514 R806	3009473973	RES CF 47K 1/5W J N	47K	9	
R551	3009512973	RES CF 5.1K 1/5W J N	5.1K	1	
R404,R412,R413,R418 R504,R512,R513,R518	3009561973	RES CF 560 1/5W J N	560	8	
R805	3009682973	RES CF 6.8K 1/5W J N	6.8K	1	
R450,R554,R801,R802	3009683973	RES CF 68K 1/5W J N	68K	4	
R804,R807	3009822973	RES CF 8.2K 1/5W J N	8.2K	2	
R417,R423,R517,R525	3089820275	RES NFR 82 1/4W J R PHILKO	82 1/4W	4	
R106,R107	3002510953	RES CF 51K 1/5W FN	51K 1%	2	
RL401,RL501	5528006600	RELAY 833H-1C-C24V(SONGCHUAN)	C24V	2	
PO	2438009992	POSISTOR P42 T70 330 B04 200MM	200MM	1	
TH401,TH501	2438209021	THERMISTOR YSG-501 K	501K	2	
Q406,Q506	2008606107-T	KTC3206-Y-AT	KTC3206	2	
Q412,Q413,Q512,Q513	2028407109	TR NPN 2SC5197 TOSHIBA	C5197	4	(R-150,REF2075)
Q412,Q413,Q512,Q513	2028427998	TR 2SC 3856 W/ACC	2SC 3856	4	(R-300,REF2150)
Q409,Q410,Q504,Q505 Q509,Q510,Q404,Q405 Q801	2008606108-T	KTC3200-BL-AT	KTC 3200	9	
Q411,Q511	2028407990	KTC4370A-Y-U	KTC 4370A	2	
Q415,Q416,Q515,Q516	2028117994	TR PNP 2SA 1492 W/ACC	2SA 1492	4	(R-300,REF-2150)
Q415,Q416,Q515,Q516	2028107106	TR PNP 2SB688(O)/2SA1940	2SB688	4	(R-150,REF-2075)
Q403,Q407,Q501,Q502 Q503,Q401,Q402,Q507	2008206104-T	KTA1268-BL-AT	KTA1268	8	
Q414,Q514	2028107984	KTA1659A-Y-U	KTA 1659	2	
Q408,Q508	2008206997-T	KTA1024-Y-AT	KTA1024	2	
VR401,VR501	3248347120-T	RES SEMI RH063MCS2R	SEMI RH063	1	
BALANCE B'D(4005193710E)					
IC101,IC201	2118010432	IC NJM2068DD JRC	NJM 2068DD	2	
D101,D102,D201,D202	2058304100	DIODE IN4148M	IN 4148	4	
R101,R102,R103,R104 R201,R202,R203,R204	3009472973	RES CF 4.7K 1/5W J N	4.7K	8	
R108	3009470973	RES CF 47 1/5W J N	47	1	
C101,C102,C201,C202	3529560311-A	CAP CE SL 56PF 50V J AXIAL	56P	4	
C103	3529100311-A	CAP CE SL 10PF 50V J AXIAL	10P	1	
C104,C105	3409210071-T	CAP AF RSG 10UF 50V 5 P	10/50	2	
SW1	4618001110	SW SV10020-0202-9T-SN	SW	1	
CN3,CN4	4428595003	LW5267/LWB0640/2.5MM-03P	3P	2	
AN1	4355838913	CON ASSY 2P "1"	2P	1	
AN5	4355839710	CON ASSY 3P "5"	3P	1	
AN7	4355839515	CON ASSY 3P "7"	3P	1	
CN6	4428598303	CONNECTOR WAFER LW-0640-3P	3P	1	
BK101,BK201	6505954310	BKT.PCB PS-M350		2	

INPUT B'D(4005193720E)

JK102 JK202	4438192210	PHONEL JACK (5P) MOLD	PHONE JACK	2	
JK101 JK201	4438193810	XLR JACK(F) 3P(E203A0040N)	XLR JACK	2	
AN101	4355839906	CON ASS'Y 3P SILK "3"	3P	1	
AN201	4355839806	CON ASS'Y 3P SILK "4"	3P	1	

LED B'D 1(4005193730E)

Q301,Q303	2008606108-T	KTC3200-BL-AT	KTC3200	2	
Q302,Q304	2008206104-T	KTA1268-BL-AT	KTA1268	2	
D301	2058304100	DIODE IN4148M	IN4148	1	
LED301	2300032105	LED LTL-1CHG-021A LITEON	LED	1	
LED302,LED303	2300030105	LED LTL-1CHE-021A LITEON	LED	2	
VR301	3228070100	VR RK16311E0Z0113B	10KB	1	
R301,R302, R307,R308,R313	3009152973	RES CF 1.5K 1/5W J N	1.5K	4	
R303,R305,R309,R311	3009223973	RES CF 22K 1/5W J N	22K	4	
R304,R310	3009221973	RES CF 220 1/5W J N	220	2	
R306	3009183973	RES CF 18K 1/5W J N	18K	1	
R312	3009103973	RES CF 10K 1/5W J N	10K	1	
R809	3009470973	RES CF 47 1/5W J N	47	1	
C301,C302	3409222871-T	CAP AF RSG 0.22UF 50V 5 P	0.22/50	2	
CN5	4428598303	CONNECTOR WAFER LW-0640-3P	3P	1	
AN2	4355839005	CON ASS'Y 2P "2"	2P	1	
AN8	4355839410	CON ASS'Y 3P "8"	3P	1	
AN9	4355839306	CON ASS'Y 3P "9"	3P	1	

LED B'D 2(4005193740E)

Q701 Q703	2008606108-T	KTC3200-BL-AT	KTC3200	2	
Q702 Q704	2008206104-T	KTA1268-BL-AT	KTA1268	2	
D701	2058304100	DIODE IN4148M	IN4148	1	
LED701	2300032105	LED LTL-1CHG-021A LITEON	LED	1	
LED702, LED703, LED704	2300030105	LED LTL-1CHE-021A LITEON	LED	3	
VR701	3228070100	VR RK16311E0Z0113B	10KB	1	
R205	3009470973	RES CF 47 1/5W J N	47	1	
R701	3002510953	RES CF 51K 1/5W FN	51K 1%	1	
R702,R703,R716 R708,R709, R714,R715	3009152973	RES CF 1.5K 1/5W J N	1.5K	7	
R704,R706,R710,R712	3009223973	RES CF 22K 1/5W J N	22K	4	
R705 R711	3009221973	RES CF 220 1/5W J N	220	2	
R707	3009183973	RES CF 18K 1/5W J N	18K	1	
R713	3009103973	RES CF 10K 1/5W J N	10K	1	
C701,C702	3409222871-T	CAP AF RSG 0.22UF 50V 5 P	0.22/50	2	
AN6	4355839616	CON ASS'Y 3P "6"	3P	1	
CN8	4428598303	CONNECTOR WAFER LW-0640-3P	3P	1	
AN10	4355839207	CON ASS'Y 3P "10"	3P	1	
AN11	4355839109	CON ASS'Y 3P "11"	3P	1	

OUTPUT B'D (4005193760E)

CN901	4428596604	LOCK WAFER LW-1143-04P	4P	1	
OUTPUT	4438194310	DC TERMINAL 4P	4P	1	

AC INLET B'D(4005193750E)

INLET	4448599010	AC INLET (B'D IN TYPE)	AC INLET	1	
T1,T2,T3,T4	4465998210	TERMINAL(250)PCB TAB	PCB	4	
C1	3549472407	CAP DE2E3KH472MA4B	0.0047/400V	1	
BK1	6505956710	PCB BKT IM-1000		1	
G1	4235007210	GND TERMINAL (POWER B'D)	GND	1	

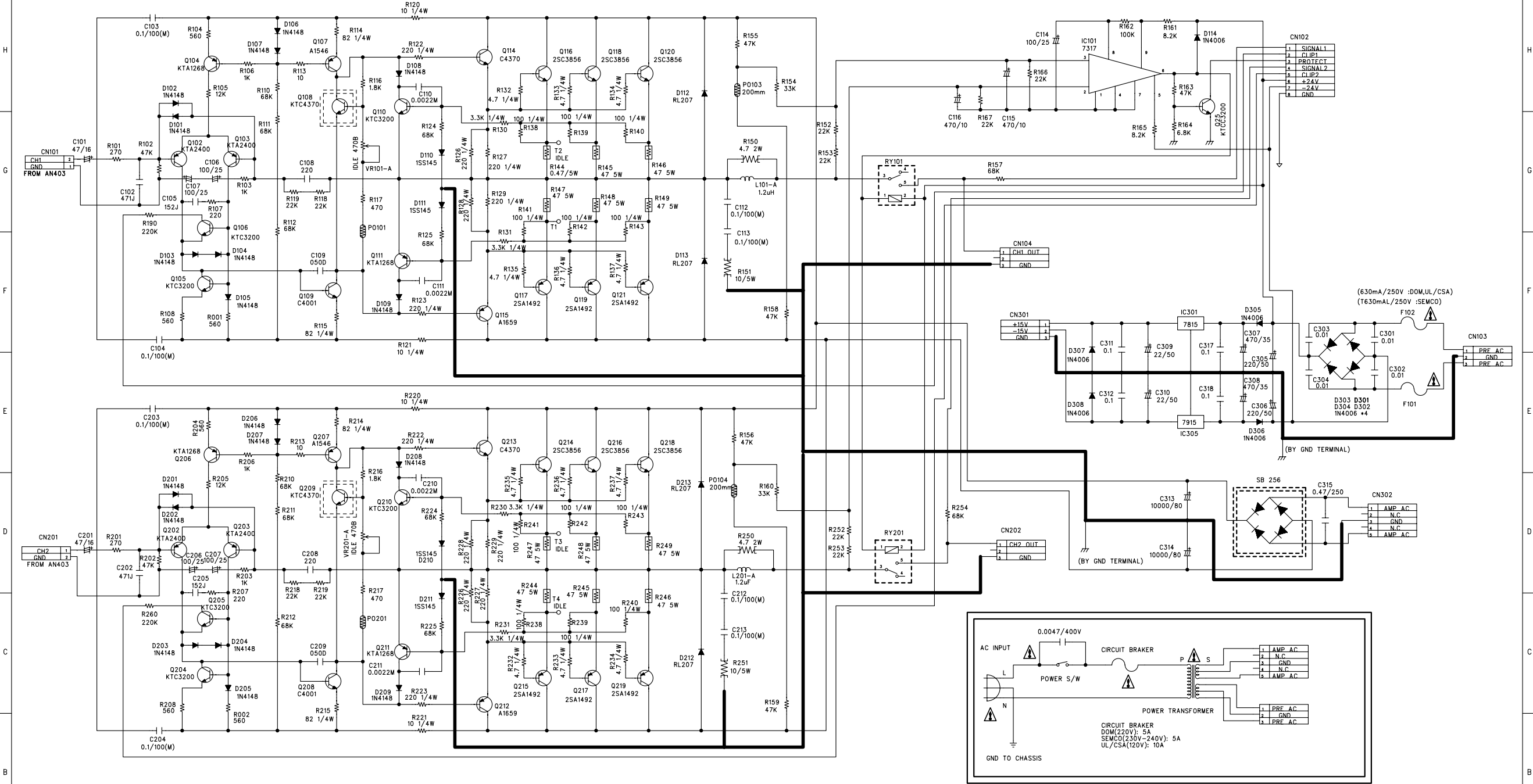
ASS'Y

FUSE	4458999310	FUSE CARRIER FEK-0031.1661 SUT		2	R-150,REF-2075/R-300,REF-2150
	4458999410	FUSE CARRIER FEU0031.1663 SUT	C,R	4	R-150,REF-2075/R-300,REF-2150
	4458999410	FUSE CARRIER FEU0031.1663 SUT	D	1	R-300,REF-2150
	5508222930	FUSE NB 31.8MM 3A/250V KS		1	R-300,REF-2150

	5508413038	FUSE#218T20MM 3.15A/250V UCSKJ	C,R	2	R-300,REF-2150
	5508112939	FUSE#239T 20MM 3A/250V UCKJ	D	1	R-300,REF-2150
	5508223433	FUSE NB 31.8MM 6A/250V U/C	E	1	R-300,REF-2150
	5508222730	FUSE NB 31.8MM 3A/250V KS		2	R-150,REF-2075
	5508412729	FUSE#218T 20MM 2A/250V UCSKJ	C,R	2	R-150,REF-2075
	5508223233	FUSE NB 31.8MM 4A/250V U/C	E	1	R-150,REF-2075
POWER TRANS	2828073500	POWER TRANSFORMER R-300 220V		1	R-300,REF-2150
	2828073510	POWER TRANS 230V R-300	C,B	2	R-300,REF-2150
	2828073530	POWER TRANS REF-2150 (240V)	D	1	R-300,REF-2150
	2828073520	POWER TRANS 120V R-300	E	1	R-300,REF-2150
	2828073600	POWER TRANSFORMER R-150 220V		1	R-150,REF-2075
	2828073610	POWER TRANS 230V R-150	C,R	2	R-150,REF-2075
	2828073630	POWER TRANS REF-2075 240V	D	1	R-150,REF-2075
	2828073620	POWER TRANS 120V R-150	E	1	R-150,REF-2075
AC CORD	4308997310	AC CORD DOME 3-CORES		2	R-150,REF-2075/R-300,REF-2150
	4308996710	AC CORD (WITHOUT PLUG)	C	2	R-150,REF-2075/R-300,REF-2150
	4308999310	AC CORD UL 3 (INLET)	E	2	R-150,REF-2075/R-300,REF-2150
	4308999410	AC CORD V+VII6A-250VHOVV-F3G	B	2	R-150,REF-2075/R-300,REF-2150
	4308998000	AC CORD POWER FOR SAA	D	2	R150,REF-2075/R-300,REF-2150
SW3	4628994610	SW ROCKER MARRRT 1802-1121	SW	1	

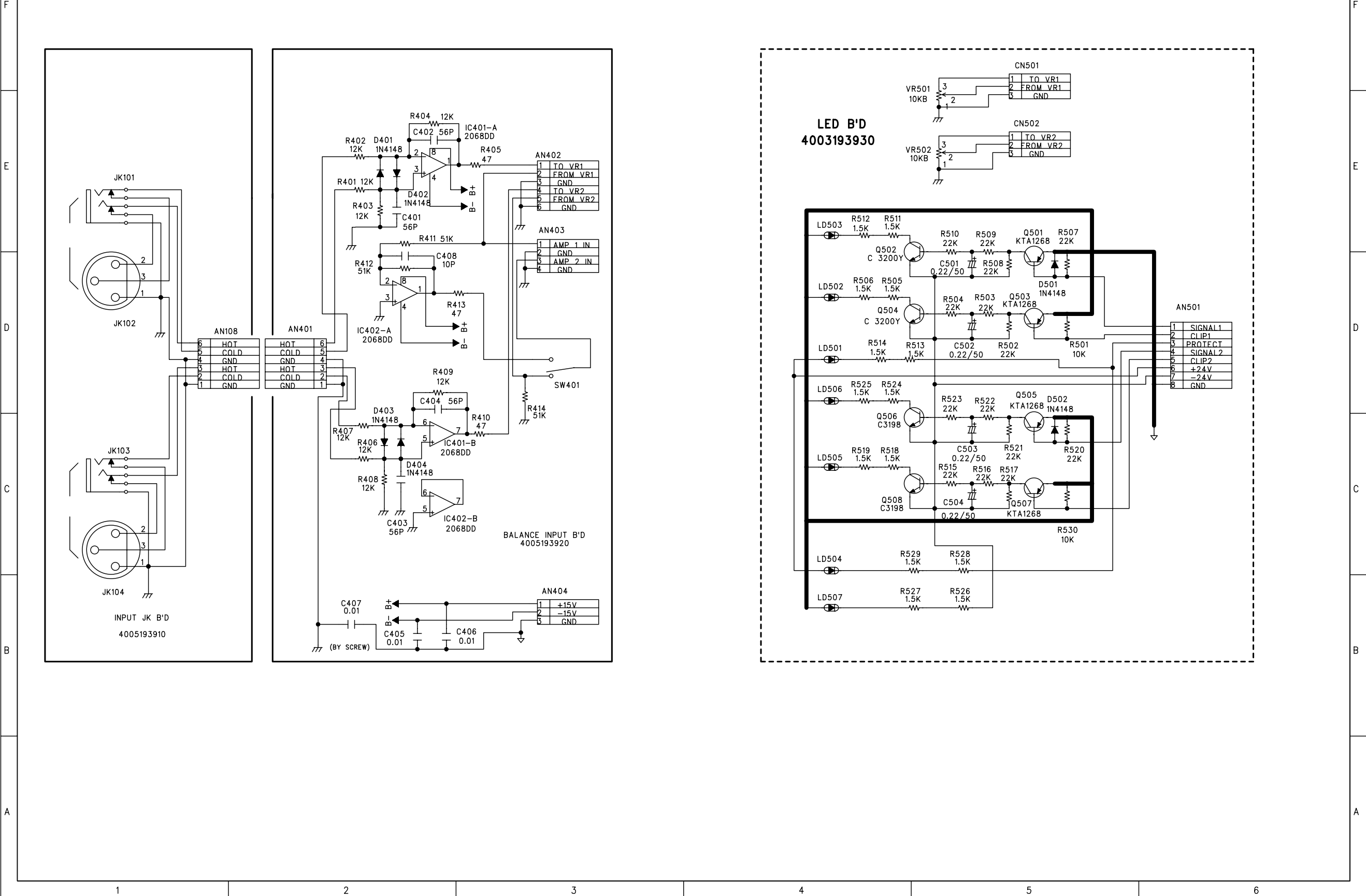
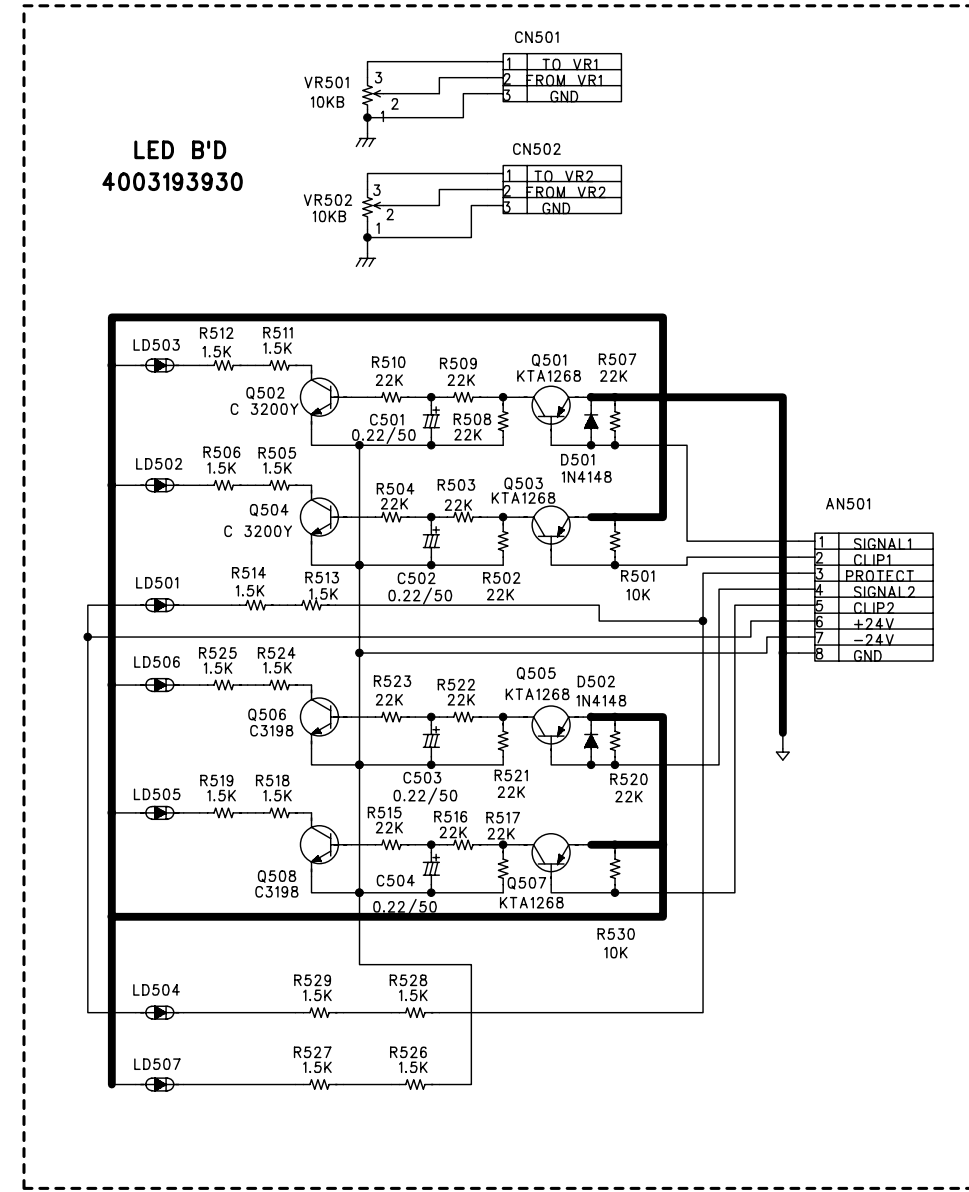
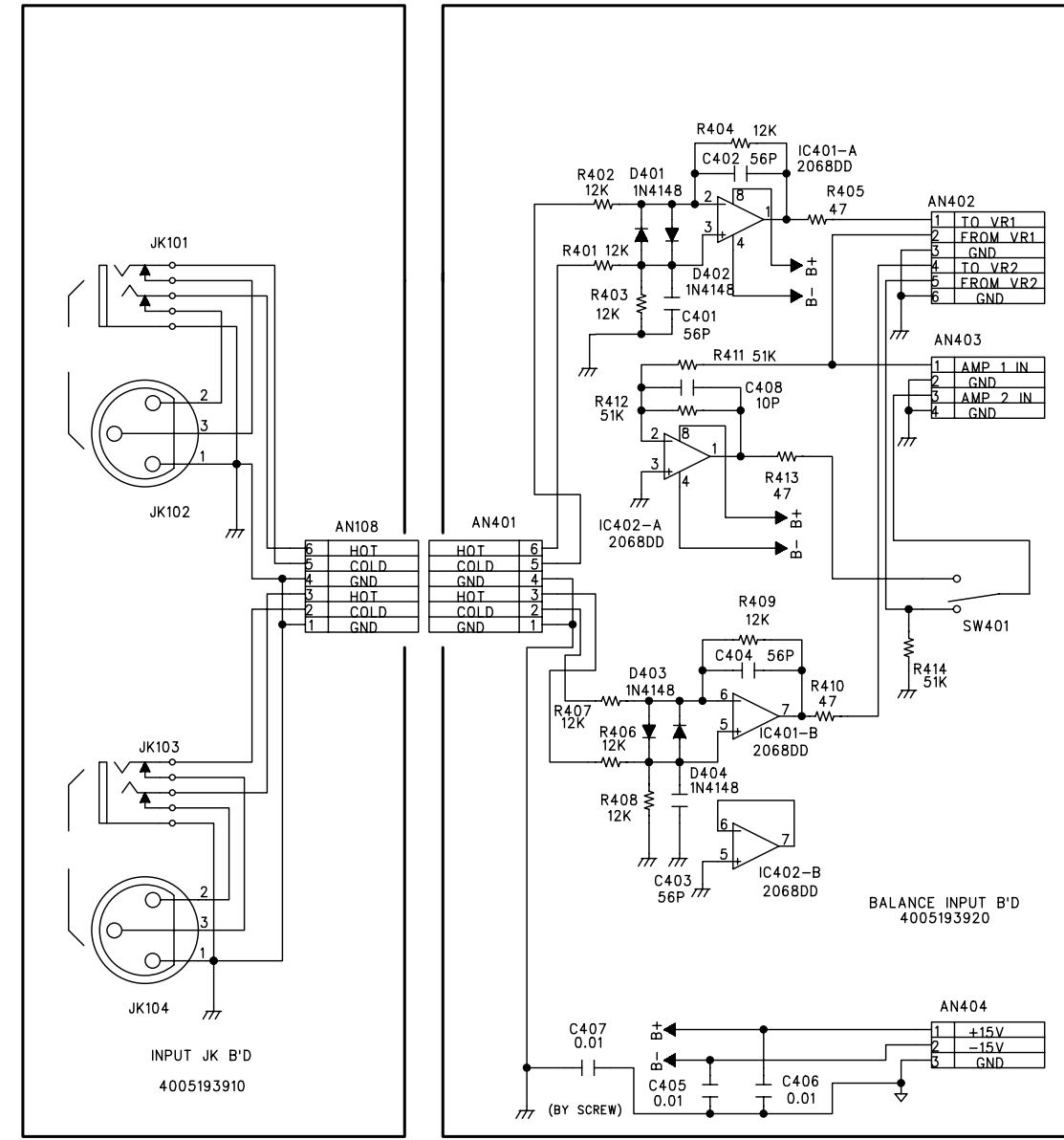
COMPANY	INTER.M	APPLICANT	REVISED NUMBER AND DATE	DRAWN	CHECKED	APPROVED	NOTE	SHEET NO.	SCHEMATIC DIAGRAM
TYPE CODE			1. 4. 7.						
APPROVED DATE	96.12.24		2. 5. 8.						MODEL : R-500 AMP
			3. 6. 9.						

REF 2300 AMP SCHEMATIC



- SERVICE INFORMATION**
- RESISTANCE VALUES ARE INDICATED IN OHMS UNLESS OTHERWISE SPECIFIED. (K=1,000, M=1,000,000)
 - CAPACITANCE VALUES ARE SHOWN IN MICROFARADS UNLESS OTHERWISE NOTED. (P=MICRO-MICROFARADS)
 - ALL VOLTAGES ARE REFERRED TO GROUND UNDER THE FOLLOWING CONDITIONS.
DC : NO SIGNAL EXCEPT WHERE INDICATED.
AC : RMS
 - PRECAUTION**
 - ALL COMPONENTS MARKED MUST BE REPLACED ONLY WITH ORIGINAL TYPE SPECIFIED BY THE MANUFACTURER. INTER M CORPORATION AND INSTALLED AS THE ORIGINAL SPACE AND POSITIONED AWAY FROM ADJACENT COMPONENTS WHERE APPLICABLE.
 - ALL SOLDERING MUST BE DONE IN A PROFESSIONAL MANNER USING SOLDER WHITE RESINE CORE ONLY.
 - ALL COVERS, SHIELD AND INSULATING SPACERS MUST BE REPLACED BEFORE RETURNING APPLIANCE TO CUSTOMER.
 - A DAMAGE POWER SUPPLY CORD MUST BE REPLACED BEFORE RETURNING TO CUSTOMER.
 - DIELECTRIC TEST CONSISTING OF 120V AC 60HZ IS TO BE APPLIED BETWEEN BOTH BALDES OF THE POWER SUPPLY CORD ATTACHMENT PLUG THE EXPOSE CONDUCTIVE SURFACE OF THE APPLIANCE FOR A PERIOD OF NOT LESS THAN ONE SECOND BEFORE RETURNING APPLIANCE TO CUSTOMER.
 - THE MARKED RESISTORS ARE MOUNTED THE P.C.B ON SLEEVES.

1		2		3		4		5		6	
COMPANY	INTER.M	APPLICANT	REVISED NUMBER AND DATE			DRAWN	CHECKED	APPROVED	NOTE	SHEET NO.	SCHEMATIC DIAGRAM
TYPE CODE			1.	4.	7.						MODEL : R-500 INPUT
APPROVED DATE	1996.11.25		2.	5.	8.						
			3.	6.	9.						



R144	3049478783	RES CE 0.47 5W J T HAN NAE	0.47 5W	1
R160 R154	3009333973	RES CF 33K 1/5W J N	33K	2
R162	3009104973	RES CF 100K 1/5W J N	100K	1
R152,R153,R166,R167 R252,R253	3009223973	RES CF 22K 1/5W J N	22K	6
R118,R119,R218,R219	3002220953	RES CF 22K 1/5W F N	22K	4
R102,R155,R156 R158,R159,R163.R202	3009473973	RES CF 47K 1/5W J N	47K	7
R214,R215,R114,R115	3089820275	RES NFR 82 1/4W J R PHILKO	82 1/4W	4
R164	3009682973	RES CF 6.8K 1/5W J N	6.8K	1
R190 R260	3009224973	RES CF 220K 1/5W J N	220K	2
R220,R221,R120,R121	3089100275	RES NFR 10 1/4W J R PHILKO	10 1/4W	4
R101 R201	3009271973	RES CF 270 1/5W J N	270	2
R130,R131,R230,R231	3089332275	RES NFR 3.3K 1/4W J R PHILKO	3.3K 1/4W	4
R138-R143,R238-R243	3079101275	RES ERD-2FCVG 101T 1/4W R	100 1/4W	12
R203 R103 R106 R206	3009102973	RES CF 1K 1/5W J N	1K	4
R117 R217	3009471973	RES CF 470 1/5W J N	470	2
R165 R161	3009822973	RES CF 8.2K 1/5W J N	8.2K	2
R213 R113	3009100973	RES CF 10 1/5W J N	10	2
R216 R116	3009182973	RES CF 1.8K 1/5W J N	1.8K	2
R150 R250	3039479575-T	RES MO 4.7 2W J RADIAL	4.7 2W	2
R151,R251	3059100772	RES CE 10 5W JN	10/5W	2
T1-T4	4465998210	TERMINAL(250)PCB TAB	PCB	4
PO101 PO201	2438007994	POSISTOR PTFLO4BE471Q2N34BO	E1	2
PO103,PO104	2438009992	POSISTOR P42 T70 330 B04 200MM	200mm	2
Q25,Q110,Q210,Q105 Q106,Q204,Q205	2008606108-T	KTC3200-BL-AT	KTC3200	7
Q108 Q209	2028407990	KTC4370A-Y-U	2SC4370	2
Q116 Q118 Q120 Q214 Q216 Q218	2028427998	TR 2SC 3856 W/ACC	2SC3856	6
Q114 Q213	2028407990 7505299340	KTC4370A-Y-U HEAT SINK EQ-131	C4370	2 2
Q109 Q208	2008405999	TR NPN 2SC4001 NEC	C4001	2
Q102,Q103,Q202,Q203	2008206106-T	KTA2400-GR-AT	KTA2400	4
Q111 Q104 Q206 Q211	2008206104-T	KTA1268-BL-AT	KTA1268	4
Q121 Q117 Q119 Q215 Q217 Q219	2028117994	TR PNP 2SA 1492 W/ACC	2SA1492	6
Q212,Q115	2028107984	KTA1659A-Y-U	A1659	2
Q107,Q207	2008005999	TR PNP 2SA 1546 NEC	A1546	2
VR101 VR201	3248347120-T	RES SEMI RH063MCS2R	IDLE 470B	2
B+	4355833603	CON ASSY 1P (RED)	1P	1
B-	4455833503	CON ASSY 1P (BLK)	1P	1
AC	4355833403	CON ASSY 1P (YEL)	1P	2
GND101,GND102	4235007210	GND TERMINAL (POWER B'D)	GND	2

JACK B'D (4005193910)

AN108	4428594906	CON WAFER A2505WR2-06P	6P	1
JK101 JK103	4438192210	PHONEL JACK (5P) MOLD	5P	2
JK102 JK104	4438193810	XLR JACK(F) 3P(E203A0040N)	3P	2

LED B'D(4003193930)

C501-C504	3409222871-T	CAP AF RSG 0.22UF 50V 5 P	0.22/50	4
CN501,CN502	4428595003	LW5267/LWB0640/2.5MM-03P	LW3P	2

ELECTRICAL PARTS LIST (R-500)

Ref.No.	Part No.	Description	VALUE	Q'ty
AMP B'D(4005193901)				
IC403,IC404	2028407990	KTC4370A-Y-U	KTC4370	2
C102 C202	3688471118	CAP MO SR22C 471JA	471J	2
C103,C104,C112,C113 C203,C204,C212,C213	3609104122-T	CAP MA 0.1UF 100V J SMALL	0.1M/100	8
C109 C209	3678050177	CAP M1 DM10C 050D5	050D	2
C110,C111,C210,C211	3609222120-T	CAP MA 0.0022UF 100V J	0.0022M	4
C108,C208	3678220177	CAP M1 DM 10C 220J5	220J	2
C105,C205	3698152198	CAP NPP POLY 152J 2J	152J	2
C301-C304	3509103450-T	CAP CE 0.01UF 500V Z	0.01	4
C311,C312,C317,C318	3509104530-T	CAP CE F 0.1UF 50V Z	0.1	4
C315	3619474153	CAP POLY TM 0.47UF 250V	0.47/250	1
C101 C201	3409547031-T	CAP AF 47UF 16V (MOSE)	47/16	2
C106,C107,C114 C206,C207	3409210141-T	CAP AF RSG 100UF 25V 6 P	100/25	5
C115,C116	3409247121-T	CAP AF RSG 470UF 10V SG 8 P	470/10	2
C305,C306	3409222171-T	CAP AF RSG 220UF 50V SG 10 P	220/50	2
C307,C308	3408247169	CAP AF SG 470UF 35V	470/35	2
C309,C310	3409222071-T	CAP AF RSG 22UF 50V 5 P	22/50	2
C313,C314	3419010355	CAP LPW 10000UF/80V(JAMICON)K	10000/80	2
CN101 CN201	4428595002	LW5267/LWBO640/2.5MM-02P	2P	2
CN103,CN301	4428595003	LW5267/LWBO640/2.5MM-03P	LW3P	4
CN105,CN203				
CN104,CN202	4355923803	CONNECTOR WAFER 03P(J.ST)	3P	2
CN302	4355923603	WAFER 7.62MM B 5	5P	1
CN102	4428595008	LW5267/LWBO640/2.5MM-08P	8P	1
L101,L201	2648099940	COIL INDUCTOR 1.2UH	1.2uH	2
D7	2058199400	DIODE SB 256	SB 456	1
D101-D109,D201-D209	2058304100	DIODE IN4148M	1N4148	18
D111,D110,D210,D211	2058322100	DIODE 1SS145 ROHM	1SS 145	4
D113,D112,D212,D213	2058100110	DIODE RL207 PYUNG CHANG	RL207	4
D301,D302,D303,D304 D114 D305-D308	2058100996	DIODE RECTIFIER LT1N4006(4007)	1N4006	9
IC101	2118050410	IC TA7317P TOSHIBA	7317	1
IC301	2128610900	IC KA7815 COMMON	7815	1
IC305	2128610800	IC MC7915 COMMON	7915	1
RY101 RY201	5528006600	RELAY 833H-1C-C24V(SONGCHUAN)	DC24V	2
R001,R002 R104 R108 R204,R208	3009561973	RES CF 560 1/5W J N	560	6
R105 R205	3009123973	RES CF 12K 1/5W J N	12K	2
R107 R207	3009221973	RES CF 220 1/5W J N	220	2
R110-R112,R124,R125 R157,R210-R212 R224,R225,R254	3009683973	RES CF 68K 1/5W J N	68K	12
R122,R123,R126-R129 R222,R223,R226-R229	3089221275	RES NFR 220 1/4W J R PHILKO	220 1/4W	12
R134-R137,R132,R133 R232-R237	3089479275	RES NFR 4.7 1/4W J R PHILKO	4.7 1/4W	12
R145-R149,R244-R249	3059478774	RES CE MSA 5W R 47 J	47/5W	11

AN501	4355811211	CON ASSY 8P (REF-2300)	8P	1
D501,D502	205830410	DIODE IN4148M	1N4148	2
LD501,LD502, LD504 LD505,LD507	2300030105	LED LTL-1CHE-021A LITEON	1CHE-021A	5
LD503 LD506	2300032105	LED LTL-1CHG-021A LITEON	1CHG-021A	2
R501 R530	3009103973	RES CF 10K 1/5W J N	10K	2
R502,R503,R504,R507 R508,R509,R510,R515 R516,R517,R520,R521 R522,R523	3009223973	RES CF 22K 1/5W J N	22K	14
R511,R512,R518,R519 R513,R514,R506 R524-R529,R505	3009152973	RES CF 1.5K 1/5W J N	1.5K	14
AN502,AN503	4355811111	CON ASSY 3P (REF-2300)	3P	2
Q502,Q504,Q506,Q508	2008606104-T	TR NPN KTC3198-Y-AT TO-92	C 3198Y	4
Q501 Q503 Q505 Q507	2008206104-T	KTA1268-BL-AT	A1268	4
VR501,VR502	3228070100	VR RK16311E0Z0113B	10KB	2

BALANCE B'D(4005193920)

C401-C404	3529560311-A	CAP CE SL 56PF 50V J AXIAL	56P	4
C405-C407	3529103531-A	CAP CE F 10000PF 50V Z	0.01	3
C408	3529100311-A	CAP CE SL 10PF 50V J AXIAL	10P	1
AN404	4355811111	CON ASSY 3P (REF-2300)	3P	1
AN403	4355811010	CON ASSY 4P (SHIELD)	4P	1
AN401	4355811306	CON ASSY 6P (REF-2300)	6P	1
AN402	4355810910	CON ASSY 6P (SHEILD)	6P	1
D401-D404	2058304100	DIODE IN4148M	1N4148	4
IC401,IC402	2118010432	IC NJM2068DD JRC	2068DD	2
R401-R404,R406-R408 R409	3009123973	RES CF 12K 1/5W J N	12K	8
R405 R410 R413	3009470973	RES CF 47 1/5W J N	47	3
R411,R412,R414	3002510953	RES CF 51K 1/5W FN	51K	3
SW401	4618001110	SW SV10020-0202-9T-SN	SSH78	1

ASSY

CN1,CN4	4355741613	CON ASSY 3P	3P	2
AC INLET	4448598810	AC INLET 6100.4320 2T-250TE SU	AC	1
C24	4355825915	RECEPT ASSY (472)	0.0047/400V	1
F4	5508411939	FUSE#218T 20MM 630MA/250V UCSK	FUSE	1
F101,F102	4458999110	FUSE CLIP 5*20	5*20	2
POWER SW	4625996611	SW POWER(C1350AT) ARCOLECTRIC	POWER SW	1
PT	2828070610	POWER TRANS R-500/600 220V		1
	2828070620	POWER TRANS R-500/600 230V	C,B	2
	2828070630	POWER TRANS (REF-2300) 240V	D	1
	2828070600	POWRE TRANS R-500/600 120V	E	1
AC CORD	4308997310	AC CORD DOME 3-CORES		1
	4308996710	AC CORD (WITHOUT PLUG)	C	1
	4308998000	AC CORD POWER FOR SAA	D	1
	4308999310	AC CORD UL 3 (INLET)	E	1
	4308999410	AC CORD V+VII6A-250VHOVV-F3G	B	1