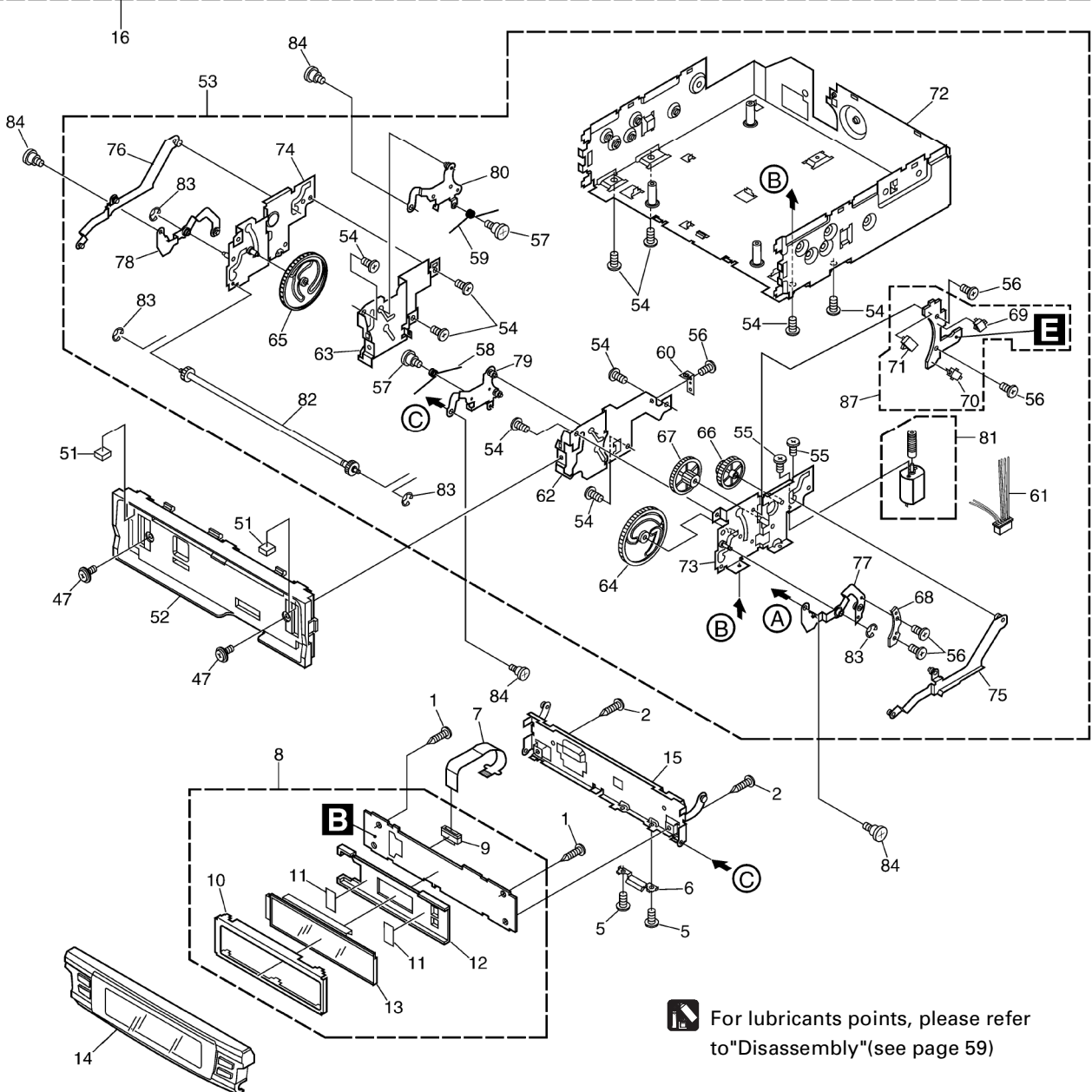
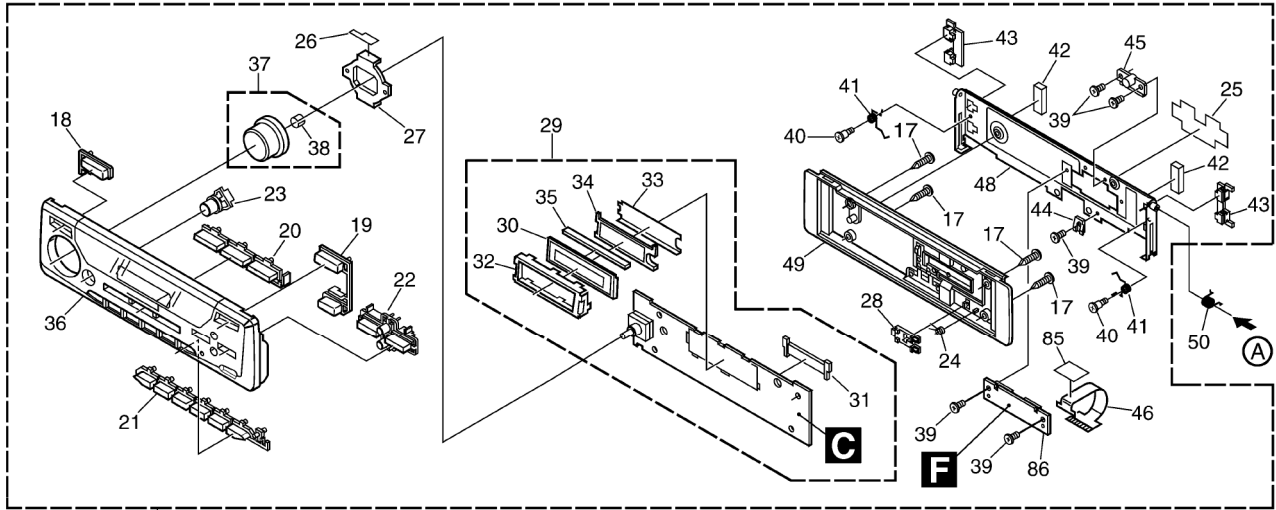



2.3 EXTERIOR(2)



 For lubricants points, please refer to "Disassembly"(see page 59)