

100 V2

4" Polyglass woofer



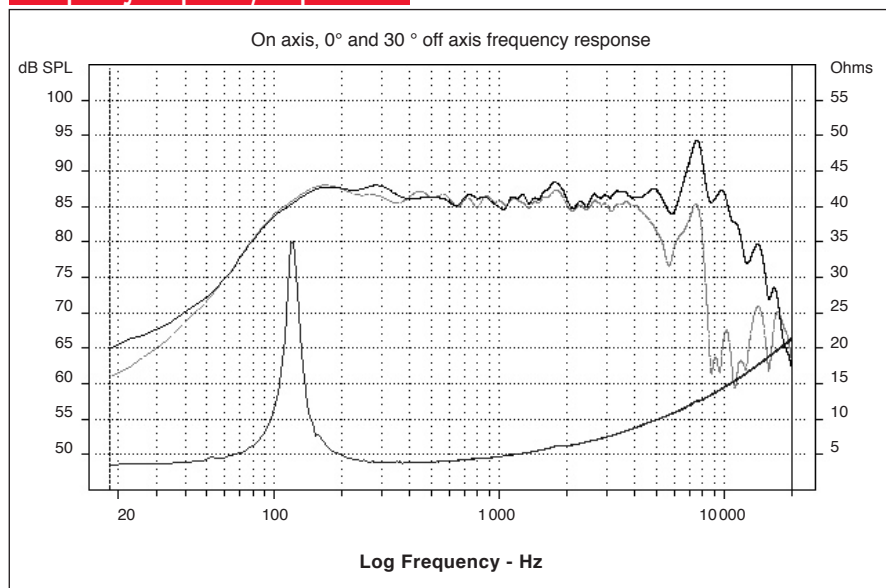
- Zamak chassis
- Polyglass cone, Butyl surround



Specifications

Nominal power	50 W	
Maximum power	100 W	
Sensitivity	91 dB	
Cone	Polyglass	
Surround	Butyl	
Nom. impedance	4 ohms	
DC resistance	3.25 ohms	
VC diameter	25 mm	
VC height	8 mm	
Former	Kapton	
Layers	2	
Wire	Copper	
Inductance	0.18 mH	
Xmax	1.5 mm	
Magnet d x h	70 x 15 mm	2 ^{3/4} x 0 ^{9/16} in
Magnet weight	550 g	1.21 lb
Flux density	0.9 T	
Gap height	5 mm	
Net weight	650 g	1.43 lb

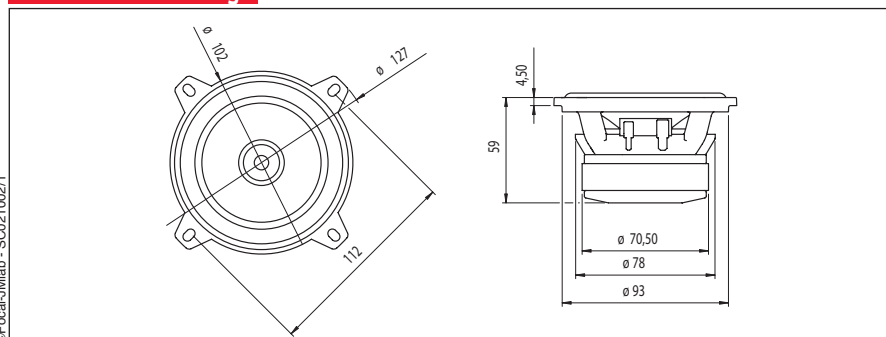
Frequency Response / Impedance



Parameters

Fs	117.72 Hz	
Vas	1.39 l	0.049 Ft ³
Qts	0.758	
Qes	0.830	
Qms	8.750	
Re	3.25 ohms	
Sd	51.53 cm ²	8 in ²
Cas	9.91E-09 m ⁵ /N	
Mas	184.53 kg/m ⁴	
Ras	15 599.06 ohms.ac	
Cms	3.73E-04 m/N	
Mms	4.90 g	0.01 lb
Rms	0.414 Kg/s	
Ces	345.27 mF	
Les	5.29 mH	
Res	34.26 ohms	
Bl	3.77 N/A	
SPL	86.21 dB/W/m	

Mechanical Drawing



Suggested application

Load	V (l)	Fb (Hz)	F-3 (Hz)	Ql
Vented	-	-	-	-
Sealed	-	-	-	-

Focal® is a trademark of Focal-JMLab®