

Model Number: NE65W-04
Product Line: Peerless Platinum

Revision: Rev 2_0
Date: 18-Mar-10

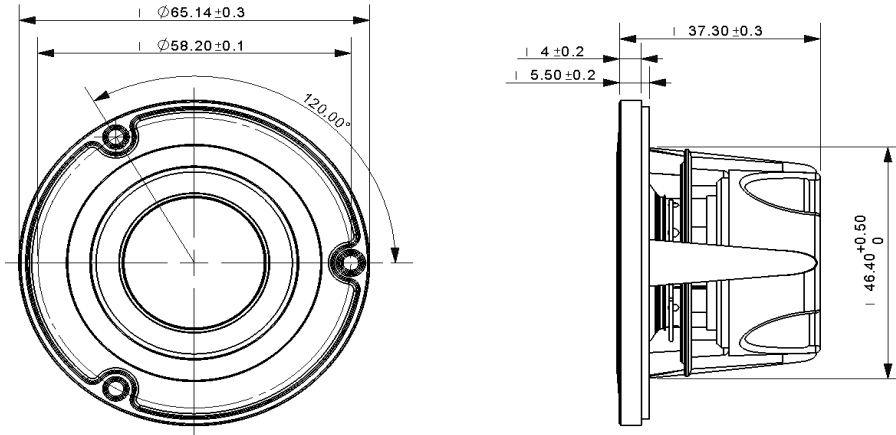


Product Description:

This 2 inch 4 ohm member of the NE family has leading-edge transducer technology packaged in a cutting edge, stylistic design. The full-range drivers in this family feature an innovative cast aluminium basket design which minimizes acoustic reflections inside the driver, through large basket windows and sculpted basket spokes. The basket also is designed to act as a highly coupled heat sink to the Neodymium-Iron-Boron magnet (NdFeB) motor, so as to improve power handling capacity. The cone is aluminium, with a butyl rubber surround designed through finite element analysis for linearity of performance. The voice coil bobbin is titanium, for improved performance. The FEA-designed motor features copper caps to minimize inductance and extend performance to high frequencies.



Mechanical 2D Drawing:



Specifications:

| | | | | | | | | |
|-----------------------------------|-----------------|----------------|-----------|-------------|----------------------------|-----------|--------------------------|-------|
| DC Resistance | R_{vc} | Ω | 3.7 | 5.0% | Energy Bandwidth Product | EBP | $(1/Q_{es})f_s$ | 224 |
| Minimum Impedance | Z_{min} | Ω | 4.0 | 7.5% | Moving Mass | M_{ms} | g | 1.58 |
| Voice Coil Inductance | L_e | mH | 0.04 | | Suspension Compliance | C_{ms} | um/N | 583.7 |
| Resonant Frequency | f_s | Hz | 166 | 15.0% | Effective Cone Diameter | D | cm | 4.3 |
| Mechanical Q Factor | Q_{ms} | - | 5.0 | | Effective Piston Area | S_D | cm ² | 14.7 |
| Electrical Q Factor | Q_{es} | - | 0.74 | | Equivalent Volume | V_{as} | L | 0.18 |
| Total Q Factor | Q_{ts} | - | 0.65 | | Motor Force Factor | BL | T-m | 2.85 |
| Ratio f_s / Q_{ts} | F | f_s / Q_{ts} | 257 | | Motor Efficiency Factor | β | $(T \cdot m^2) / \Omega$ | 2.22 |
| Half Space Sensitivity @ 2.83V | $dB @ 2.83V/1m$ | dB | 85.7 | $\pm 1.0^1$ | Voice Coil Former Material | VC_{fm} | - | TiSV |
| Sensitivity @ 1W/1m | $1W/1m$ | dB | 82.2 | $\pm 1.0^1$ | Voice Coil Inner Diameter | VC_{di} | mm | 25.7 |
| | | | | | Gap Height | Gh | mm | 3.0 |
| Rated Noise Power (IEC 2685 18.1) | P | W | 20 | | Maximum Linear Excursion | X_{max} | mm | 1.65 |
| Test Spectrum Bandwidth | 150Hz - 18kHz | | 12 dB/Oct | | Ferrofluid Type | FF | | N/A |
| | | | | | Transducer Size | | inch | 2 |
| | | | | | Transducer Mass | | kg | 0.138 |

1 - Piston Band Sensitivity Tolerance

Frequency and Impedance Response:

