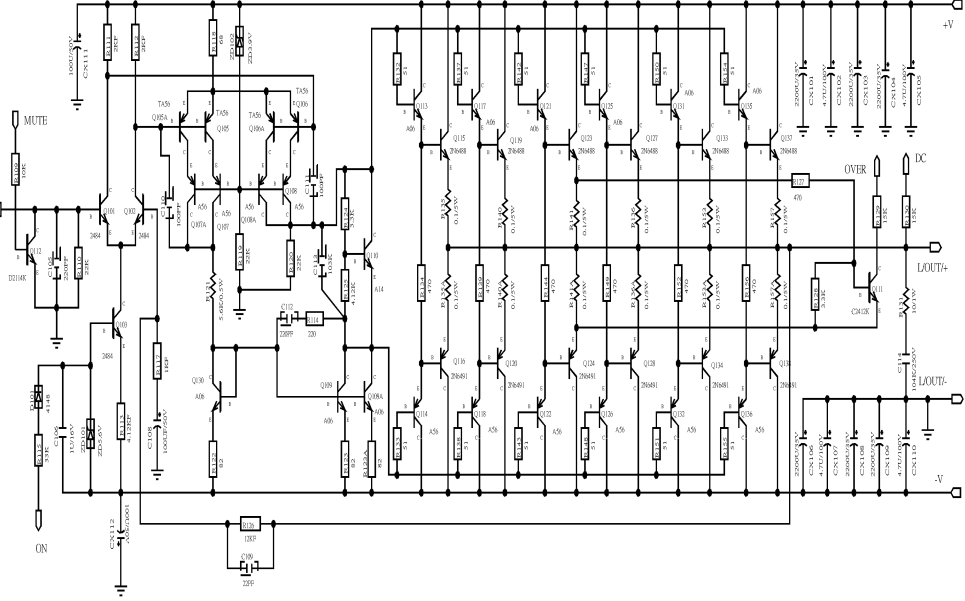
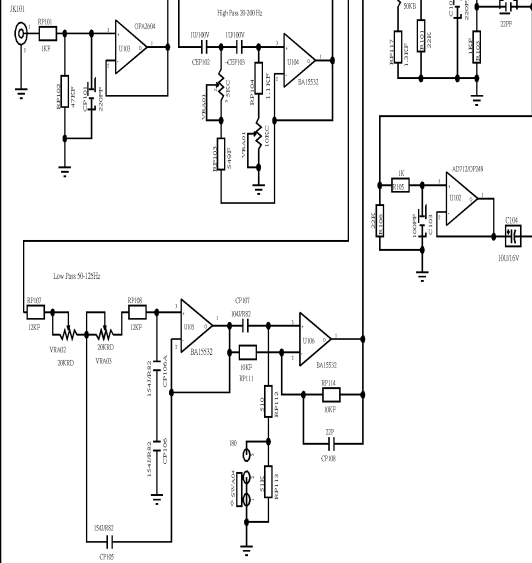


POWER AMPLIFIER SECTION

BRAND	MODEL NO	FILE NAME	PCB VERSION	APPROVED	CHECKED	CKT	DRAW
DLS	A3	A3PWR	PC-68H V1				
		DEC-17-2000					

LEFT IN



RIGHT IN

