

## Power Acoustik FUBR Woofers

Congratulations on your purchase of one of the finest woofers available for your vehicle today.

If you are an enthusiast that plays your system loud and hard, the FUBR woofers will take you to the limit. Our small sealed enclosure, high excursion design will move enough air to part your hair. Let your woofers do all the talking to let everyone know you are a "Serious about your sound".

Please take a few moments to fill out the warranty card and review this manual before installing this woofer for proper connections and box sizes.

### Design Features

Cast aluminum basket			
Metal Flake Blue finish w/ Diamond cut			
Non-pressed paper cone			
Chrome front & back plate			
Large foam rubber surround			
1-piece rubber gasket			
Black spider			
Woven tinsel lead through spider			
Chrome screw terminals			
Dual 2ohm voice coil			
SPL:	10" – 90 dB	12" – 91 dB	15" – 93 dB
Magnet size:	10" - 160oz.	12" – 200oz.	15" – 200oz.
ASV voice coil:	10" - 2"	12" - 2"	15" - 2.5"
Power (RMS watts):	10" – 600	12" – 700	15" - 800

### Thiele / Small Parameters

	<u>FUBR-10</u>	<u>FUBR-12</u>	<u>FUBR-15</u>
Fs	40.1 Hz	33.5 Hz	29.1 Hz
Vas	0.81 Cu. Ft.	1.72 Cu. Ft.	4.73 Cu. Ft.
Qms	3.47	4.66	3.83
Qes	0.60	0.55	0.457
Qts	0.5124	0.4939	0.4986
Xmax	0.6"	0.6"	0.6"

## Recommended box sizes

Model	Sealed Box Size	Ported Box Size	Tune Freq.	# of Ports	Port (dia x length)
FUBR-10	.5 cubic feet	1.15 cubic feet	39 Hz	1	3" x 8.6"
FUBR-12	1.0 cubic feet	2.2 cubic feet	34 Hz	1	4" x 10.25"
FUBR-15	2.0 cubic feet	3.0 cubic feet	35 Hz	1	4" x 6.25"

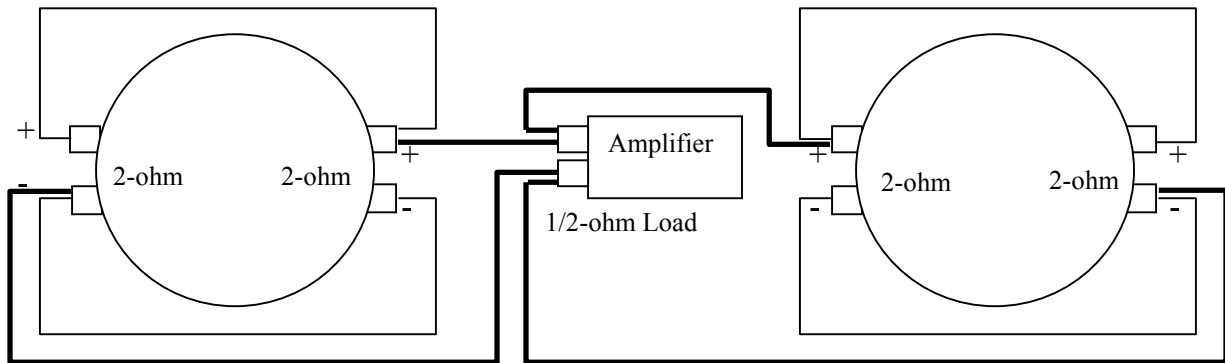
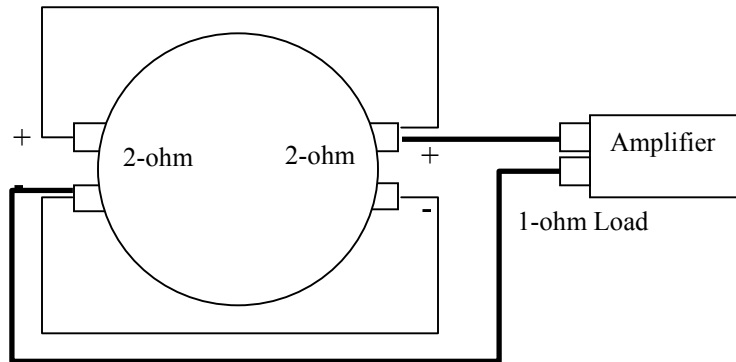
## Building the Enclosure

- Determine the dimensions of your enclosure.
- Be certain the box dimensions that you have designed will fit in the location you have chosen in your vehicle. Sometimes making a cardboard box with the same outside dimensions is helpful.
- It is recommended to use ¾ inch thick MDF (medium density fiberboard) for your box.
- Use a “T” square to verify precise right angle cuts before you assemble the box.
- Use high quality wood glue and screws to assemble the box to guarantee an airtight box that will not come apart due to excess vibration and pressure.
- It is recommended for sealed enclosures to stuff the interior of the box about 50 – 75% fiberglass insulation or Dacron fiberfill for increased sound damping and woofer performance.
- For ported enclosures, it is recommended to staple 1” thick fiberglass insulation to the interior walls of your box.
- Use slide on connectors for spade style connectors or bare wire for push and screw terminals. Do not solder the wires to the factory connectors as this may cause damage to the voice coil or tinsel lead and may void your warranty.

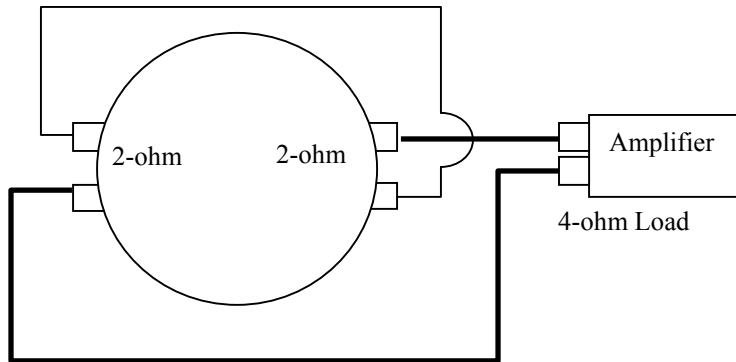
## Recommended wiring

The following page will give you a few different options to match the impedance of the woofers to the impedance capability of the amplifier. Please look and follow the diagrams closely to insure maximum woofer performance.

### Parallel voice coil configuration



### Series voice coil configuration



### Series/Parallel voice coil configuration

